

b2

product manual

bulthaup

**Validity**

It is valid from February, 21st, 2017.

**Prices**

The price details represent non-binding recommended prices in Euro exclusive of VAT.

The first number of the type designation specifies the relevant product group.

Examples:

**19** M 160 (19 = product group 19)

**62** ZSK 3 (62 = product group 60)

Please note the different pricings of the various product groups.

**Terms of delivery and payment**

Orders placed with bulthaup are subject to our "General Conditions of Delivery and Payment", as accepted by the buyer at the time of placing the order.

**Five-year limited warranty**

As a sign of the high quality of our products, we offer a five-year limited warranty on every bulthaup kitchen.

The warranty starts with the delivery date ex factory.

The warranty relates to the functional safety and manufacturing quality of all Bulthaup GmbH & Co KG products. This warranty does not cover lights, filter inserts, batteries or seals.

**Terms of warranty**

1. The warranty applies only when the guidelines contained in the bulthaup cleansing and maintenance manual are fully adhered to. The warranty becomes void if the equipment is mishandled or inadequately cared for, or if the buyer attempts to rectify damage, without the prior agreement of bulthaup, either himself or through the aid of a third party.
2. The warranty does not cover damage caused on the premises of the buyer by natural wear and tear, damp, high ambient temperatures, or other climatic and environmental influences, nor effects due to the physical properties of wood.

bulthaup cannot accept complaints arising from the peculiarities of the materials, poor maintenance or incorrect fitting.

**Note**

Please use our order forms to ensure that all necessary information is provided.

We reserve the right to alter the specification as the need arises, in line with the company's policy of continuous technical improvement. No responsibility is accepted for colour variations, or for errors including printing errors in this system list.

**Further information from**

Bulthaup GmbH & Co KG

Aich, Werkstraße 6

84155 Bodenkirchen

Germany

Phone +49 8741 80 0

Fax +49 8741 80 309

[www.bulthaup.com](http://www.bulthaup.com)



**Programme:**

2HF1

**Veneer**

for  
Kitchen tool cabinets  
Housing units

**Colour:**



**LD** Oak natural

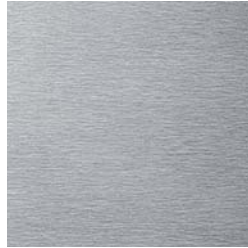


**LB** Walnut natural

**Programme:**

**2CNN** Stainless steel

**Colour:**



**39** Stainless steel

**2HMN** Wood



**LF** Oak

**2HM2** Wood

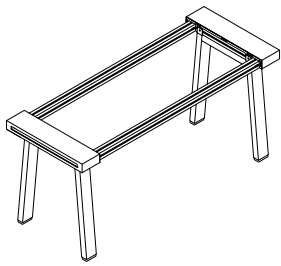


**LG** Walnut

**2GST** Granite



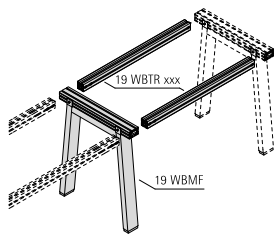
**LK** Diamond black



**Workbench**

Leg module incl. chuck jaws (each 18 cm wide)  
 Stainless steel  
 2 traverses  
 Depth 75 cm  
 Sealing profile, 5 mm wide.  
 The workbench can be equipped individually with 160, 120, 80 or 40 cm wide modules. A special sealing profile is placed between the modules.  
 The working height can be steplessly adjusted from 89 cm to 93 cm.

<b>276 cm wide</b> width of modules 240 cm	<b>19 WB 276</b>	2199
<b>236 cm wide</b> width of modules 200 cm	<b>19 WB 236</b>	2134
<b>196 cm wide</b> width of modules 160 cm	<b>19 WB 196</b>	2069
<b>156 cm wide</b> width of modules 120 cm	<b>19 WB 156</b>	2004
<b>Shortening cross-bars</b> Because of the central-leg frame, the crossbars of the workbench are shortened.	<b>19 AND TRK</b>	62.40

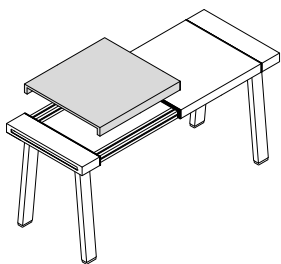


**Workbench extension**

By using a central foot and two traverses that are inserted between the chuck jaws, the workbench can be extended.  
 Example: 19 WB 236 (236 cm) + 19 AND TRK (0 cm) + 19 WBMF (0 cm) + 19 WBTR 200 (200 cm) = Total width 436 cm  
 Total width of the worktop modules = 400 cm

Central foot for workbench	<b>19 WBMF</b>	668
2 workbench traverses		
120 cm wide	<b>19 WBTR 120</b>	238
160 cm wide	<b>19 WBTR 160</b>	296
200 cm wide	<b>19 WBTR 200</b>	351
240 cm wide	<b>19 WBTR 240</b>	408

**Planning:**  
 order for workbench 19 AND TRK separately.



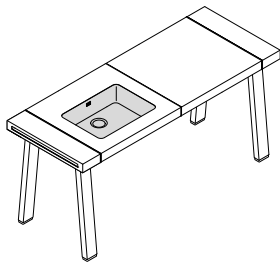
**Worktop module**

7.5 cm thick  
 Sealing profile, 5 mm wide.  
 Edge with radius

40 cm wide	<b>19 M 40</b>	455	507	-	-
80 cm wide	<b>19 M 80</b>	585	716	768	1288
120 cm wide	<b>19 M 120</b>	716	898	898	1854
160 cm wide	<b>19 M 160</b>	-	-	1028	-

Distances for cut-outs:  
 from the front edge 12 cm, to each side 8 cm

2HMN	2HM2	2CNN	2GST
------	------	------	------

**Under-worktop sinks, stainless steel**

welded under stainless steel  
cast under stone  
inner radii 30 mm

with overflow

55 x 40 x 19 cm

**19 ES 55**

2HMN	2HM2	2CNN	2GST
------	------	------	------

- - 706 934

45 x 40 x 19 cm

**19 ES 45**

- - 608 835

35 x 40 x 19 cm

**19 ES 35**

- - 509 737

without overflow

55 x 40 x 19 cm

**19 ES 55 U**

- - 669 896

45 x 40 x 19 cm

**19 ES 45 U**

- - 570 798

35 x 40 x 19 cm

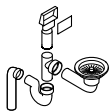
**19 ES 35 U**

- - 471 699

A separate installation cover (19 IB W / 19 IB B)  
must be provided for each basin.

Distances for under-worktop sinks:

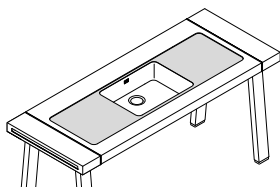
from the front edge 12 cm, to each side 8 cm

**Water outflow**

Special range for outlet to the wall or floor.  
For with / without overflow.

**19 AG 1 C**

169

**Functional flat basin, stainless steel**

150 x 45 cm, with a recess depth of 4 mm  
welded under stainless steel

no gradient

inner radii 30 mm

Sinks will be welded to functional flat basin.

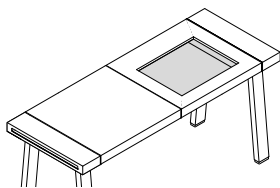
**19 FFB 90**

2HMN	2HM2	2CNN	2GST
------	------	------	------

- - 706 -

**19 FFB 150**

- - 965 -

**Cut-out, rectangular**

Incl. heatproof shelf, metal, with insulation.

Opening for flexible tube in the middle.

Max. installation dimensions for hob:

height 130 mm / depth 530 mm

Distances for cut-outs:

from the front edge 12 cm, to each side 8 cm

**19 AUS**

2HMN	2HM2	2CNN	2GST
------	------	------	------

- - 139 245

**Cut-out, flush**

others as above

**19 AUS F**

- - 139 450

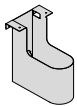
**Hole drilled for mixer tap**

Order mixer tap separately.

See product manual bulthaup b3.

**19 AUS M**

- - 36.90 53.40

**Installation cover, wall**

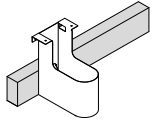
H x W: 36 x 15 cm

For water inlet and outlet directly behind the sink.

The installation channel can be planned behind the installation cover.

**19 IB W**

304

**Installation channel on the wall**

H x D: 16 x 8 cm, max. 150 cm long

Stainless steel

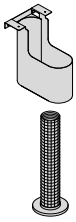
To conceal pipes that are not located directly behind the sink.

Cut-out during installation.

**19 IK W**

per m

377

**Installation cover, floor**

H x W: 36 x 15 cm

**19 IB B**

259

**Flexible tube Ø 10 cm**

Interior Ø 9 cm

Aluminium, 100 cm long

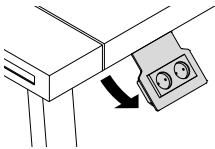
Black-clad.

Stainless steel cover Ø 17 cm.

**19 IFS 90**

220

Also suitable for concealing gas pipes or electricity cables.

**Socket block**

2 sockets

Element always folds back under the workbench.

Connecting cable 15 cm long (system plug).

Within the EU + Switzerland

**19 ST 2K**

161

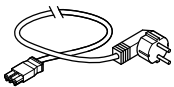
Outside the EU

**19 ST 2K OEU**

161

**Planning:**

Specify country code page 21.

**Mains cable 200 cm**3 x 1.5 mm<sup>2</sup>

with mains plug and system socket

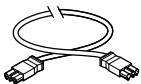
**62Z AKS 200**

t

11.70

**Planning:**

Specify country code page 21.

**Connecting cable**3 x 1.5 mm<sup>2</sup>

with system plug and system socket

300 cm long

**62Z VK 300**

t

10.60

130 cm long

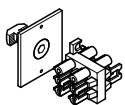
**62Z VK 130**

t

9.50

**Planning:**

connection of the connecting cable to the mains cable or terminal block.

**Terminal block**3 x 1.5 mm<sup>2</sup>

1 system plug and 3 system socket

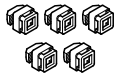
x = 5.2 cm, y = 3.5 cm

**62Z VBP 3**

t

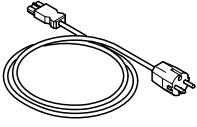
13.70





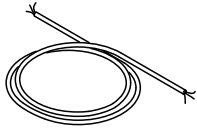
**Cable clips**  
5 pieces  
For installing all cables on the workbench.

**19 KC 5** 19.40



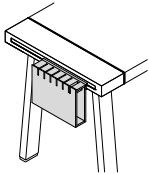
**Mains cable 200 cm**  
3 x 1.5 mm<sup>2</sup>  
Wire-mesh sheathing.  
with mains plug and system socket  
Specify country code page 21.

**62Z VS K3** t 73.60

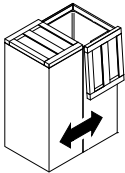


**Electric cable**  
Without mains plug and system socket.  
Wire-mesh sheathing  
3 x 1.5 mm<sup>2</sup>  
5 x 2.5 mm<sup>2</sup>

**62Z SK 3** per m t 7.30  
**62Z SK 5** per m t 11.30



**Equipment for handing items to the right and left of the workbench (page 12).**

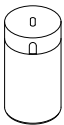


**Waste element**  
Stainless steel casing with 2 wooden covers.  
D x W x H: 57 x 33 x 71 cm  
1 container, plastic, 32 litres  
2 containers, plastic, 8 litres each  
4 castors, fixed

**19 ME 2**

2HMN	2HM2
1158	1158

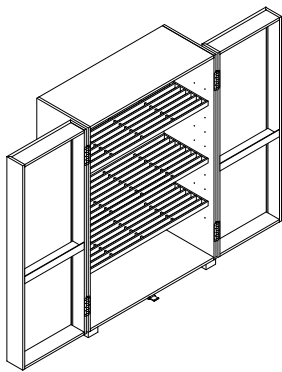
Suitable for Swiss rubbish bags.



**Container for gas bottle**  
Ø 33 cm, 62 cm high  
Stainless steel  
For all commercially available European gas bottles 11 kg.

**19 CG** 898

2HF1

**Kitchen tool cabinet****19 WS 132**

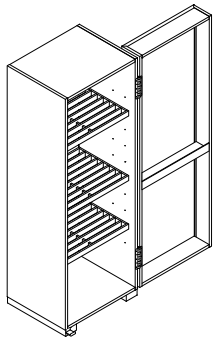
5582

W x H x D: 132 x 188 x 70 cm  
 2 storage doors, W x H x D: 65.8 x 183 x 16.5 cm  
 with aluminium profiles to accommodate the holding rails  
 and an aluminium traverse  
 2 wooden grilles, adjustable, maple, 45 cm deep  
 central wooden grille fixed in position  
 Back facing  
 2 plinth, 5 cm high  
 Safety brackets

**Planning:**

plan 70 cm of space for the left and right doors when  
 opened.  
 Secure against tilting!

2HF1

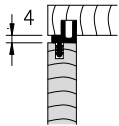
**Kitchen tool cabinet****19 WS 66 L/R**

3499

W x H x D: 65.8 x 188 x 70 cm  
 1 storage door, W x H x D: 65.8 x 183 x 16.5 cm  
 with aluminium profiles to accommodate the holding rails  
 and an aluminium traverse  
 2 wooden grilles, adjustable, maple, 45 cm deep  
 central wooden grille fixed in position  
 Back facing  
 2 plinth, 5 cm high  
 Safety brackets

**Planning:**

plan 70 cm of space for the left or right door when opened.  
 Secure against tilting!

**Visible rear wall**

2HF1

1.9 cm thick

for 132 cm wide units

**19 A 70**

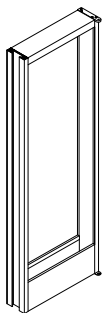
812

for 65.8 cm wide units

**19 A 71**

471

with circumferential 4 mm wide gap  
 incl. safety bracket to the floor

**Frame storage door**

Aluminium

59 cm wide  
 for 19WS132

**19 RT 59 L/R**

846

55 cm wide  
 for 19WS66 / 19GWS132BS / 19GWS132CS

**19 RT 55 L/R**

846

**Planning:**

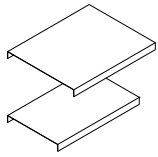
the frame door is fitted on the hinge side of the unit.

With 19 WS 66, the frame door can be fitted on the other  
 side of the unit.  
 This is only possible if the latter is not combined with an  
 appliance housing cabinet.

When installing frame storage doors, 34 cm deep wooden  
 grilles are supplied.

Order holding rails and equipment separately.

## Equipment for kitchen tool cabinet

**Shelf for appliances for wooden grille**

Aluminium

D x W x H: 45 x 56 x 4 cm

**19 A 16**

58.60

D x W x H: 34 x 56 x 4 cm (for frame storage door)

**19 A 17**

52.00

**Shelf for appliances for wooden grille with 2 sockets**

Aluminium

Mains cable, wire-mesh sheathing with mains plug.

D x W x H: 45 x 56 x 4 cm

Within the EU + Switzerland

**19 A 16 ST**

298

Outside the EU

**19 A 16 ST OEU**

298

D x W x H: 34 x 56 x 4 cm (for frame storage door)

Within the EU + Switzerland

**19 A 17 ST**

293

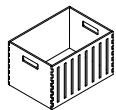
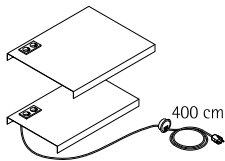
Outside the EU

**19 A 17 ST OEU**

293

**Planning:**

Specify country code page 21.

**Wooden container, maple, large**

W x D x H: 39 x 30 x 25.5 cm

**19 A 24**

174

**Wooden container, maple, small**

W x D x H: 18 x 30 x 25.5 cm

**19 A 25**

129

**Bread container, maple**

W x D x H: 34.5 x 25 x 17 cm

with lid as bread-cutting board

**19 A 26**

168

**Wooden grille for kitchen tool cabinet**

Maple

for 19WS132

D x W x H: 45 x 127.5 x 4 cm

**19 A 10**

207

for 19WS132

D x W x H: 34 x 127.5 x 4 cm (for frame storage door)

**19 A 11**

168

for 19WS66

D x W x H: 45 x 61.5 x 4 cm

**19 A 14**

155

for 19WS66

D x W x H: 34 x 61.5 x 4 cm (for frame storage door)

**19 A 15**

129

for 19GWS132BS

D x W x H: 45 x 63.7 x 4 cm

**19 A 14 GWS**

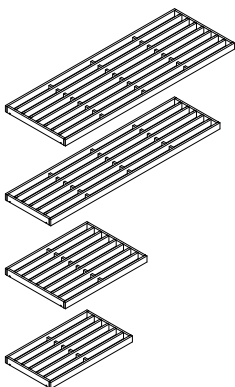
155

for 19GWS132BS


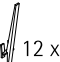
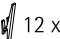
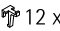
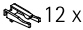
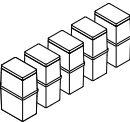
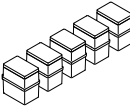

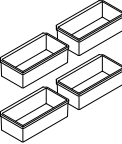
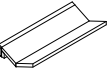
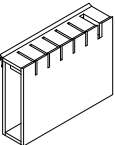
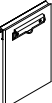
D x W x H: 34 x 63.7 x 4 cm (for frame storage door)

**19 A 15 GWS**

129



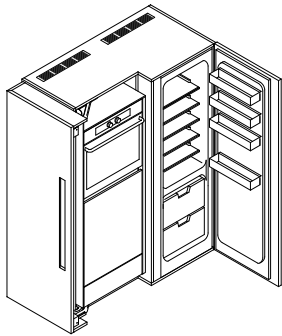
**Equipment for storage door and frame storage door.  
Completed sets should be ordered on the next page.**

 <p>6 x</p>	<p><b>6 holding rails</b> 62.9 cm wide, for storage door</p> <p>54 cm wide, for frame storage door 19 RT 59</p> <p>50.5 cm wide, for frame storage door 19 RT 55</p>	<p><b>19 A 01 6</b></p> <p><b>19 A 02 6</b></p> <p><b>19 A 03 6</b></p>	<p>72.80</p> <p>72.80</p> <p>72.80</p>
 <p>12 x</p>	<p><b>12 universal hooks, long</b> for e.g. glasses Length of hook 14 cm.</p>	<p><b>19 A 30 12</b></p>	<p>19.50</p>
 <p>12 x</p>	<p><b>12 universal hooks, medium</b> for e.g. cups Length of hook 7.5 cm.</p>	<p><b>19 A 31 12</b></p>	<p>16.90</p>
 <p>12 x</p>	<p><b>12 universal hooks, short</b> for e.g. colander, hand towels</p>	<p><b>19 A 32 12</b></p>	<p>14.30</p>
 <p>12 x</p>	<p><b>12 stemware holders</b> for wine and champagne glasses</p>	<p><b>19 A 33 12</b></p>	<p>19.50</p>
	<p><b>5 large containers</b> W x H x D: 8.5 x 20 x 13 cm approx. 1.3 litres White plastic, transparent lid.</p>	<p><b>19 A 20 5</b></p>	<p>135</p>
	<p><b>5 medium-sized containers</b> W x H x D: 8.5 x 13 x 13 cm approx. 0.75 litres White plastic, transparent lid.</p>	<p><b>19 A 21 5</b></p>	<p>120</p>
	<p><b>6 small containers</b> W x H x D: 5.2 x 8.5 x 9 cm approx. 0.2 litres White plastic, transparent lid.</p>	<p><b>19 A 22 6</b></p>	<p>111</p>
	<p><b>4 storage bins</b> W x H x D: 25 x 7.5 x 13 cm Plastic white</p>	<p><b>19 A 23 4</b></p>	<p>103</p>
	<p><b>Kitchen roll holder</b> W x H x D: 28 x 5 x 13 cm Maple</p>	<p><b>19 A 40</b></p>	<p>89.80</p>
	<p><b>Knife holder</b> for 5 knives and 1 carving steel W x H x D: 34 x 26 x 8 cm Knife blade max. 24 cm long. Maple</p>	<p><b>19 A 41</b></p>	<p>187</p>
	<p><b>Clipboard for notepad</b> W x H: 17.5 x 26 cm Maple</p>	<p><b>19 A 42</b></p>	<p>75.50</p>

<p><b>Equipment set for the storage doors of kitchen tool cabinet 19WS132</b> consisting of: 5 large containers 5 medium-sized containers 6 small containers 4 storage bins 12 holding rails, 62.9 cm wide 12 universal hooks, long 12 universal hooks, medium 12 universal hooks, short 12 stemware holders</p>	<b>19 A 101</b>	649
<p><b>Equipment set for the storage door of kitchen tool cabinet 19WS66 / 19GWS132BS</b> consisting of: 5 large containers 5 medium-sized containers 6 small containers 4 storage bins 6 holding rails, 62.9 cm wide 12 universal hooks, medium 12 universal hooks, short 12 stemware holders</p>	<b>19 A 102</b>	545
<p><b>Equipment set for 19 RT 59 frame storage door</b> consisting of: 5 large containers 5 medium-sized containers 6 small containers 4 storage bins 6 holding rails, 54 cm wide 12 universal hooks, medium 12 universal hooks, short</p>	<b>19 A 103</b>	545
<p><b>Equipment set for 19 RT 55 frame storage door</b> consisting of: 5 large containers 5 medium-sized containers 6 small containers 4 storage bins 6 holding rails, 50.5 cm wide 12 universal hooks, medium 12 universal hooks, short</p>	<b>19 A 104</b>	545

Please indicate model of appliance!  
Appliances are not included in the price.

2HF1



### Appliance housing cabinet

W x H x D: 132 x 188 x 70 cm

1 swivel door

W x H x D: 65.8 x 183 x 16.5 cm

Niche height for:

- oven (60 cm high)
- steam oven + warming drawer (14 cm)
- compact oven + warming drawer (14 cm)

**19 GS 132 BSK L/R**

7012

with bulthaup control unit  
Specify country code (page 21).

Niche height for:

- coffee-maker + warming drawer (14 cm)

**19 GS 132 CSK L/R**

6752

without bulthaup control unit

1 front panel for dishwasher, aluminium

for dishwasher 86 / 86.5 cm high

1 door, 183 cm high, 65.8 cm wide

1 fixed panel, aluminium

Niche height for 178 cm tall refrigerator.

For fridge with sliding hinge technic, or door fitted to the appliance front.

Back facing

2 Ventilation grilles in the upper shelf

2 plinth, 5 cm high

### Planning:

L/R specifies the side with the swivel door (illustration = left).

Plan 39 cm of space to the side for opening the swivel door.

Only dishwashers with integrated switch panel are possible.

Not for Miele dishwasher „AutoClose Et AutoOpen“.

Plan connections for electricity, water and gas behind the fridge.

Secure against tilting!

Ovens, steam ovens and compact ovens must be connected to the control unit (page 20).

This safety device is not required for a coffee-maker with warming drawer.

### Installation kit for BSH coffee maker

**19 SET GS 1**

2HF1

44.30

Installation strips for installation in the appliance housing cabinet.

### Visible rear wall

1.9 cm thick

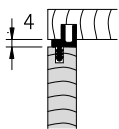
for 132 cm wide units

with circumferential 4 mm wide gap  
incl. safety bracket to the floor

**19 A 70**

2HF1

812



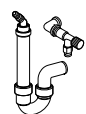
### Installation set for dishwasher

**19 IS GS**

83.30

1 small angle valve (for tube diameter 1/2")

1 flat siphon

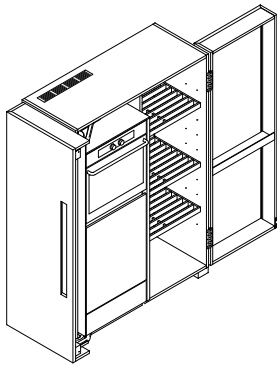


### Planning:

to position the appliance housing cabinets as close to the wall as possible.

2HF1

Please indicate model of appliance!  
Appliances are not included in the price.

**Appliance housing cabinet**

W x H x D: 132 x 188 x 70 cm

1 swivel door

W x H x D: 65.8 x 183 x 16.5 cm

Niche height for:

- oven (60 cm high)
- steam oven + warming drawer (14 cm)
- compact oven + warming drawer (14 cm)

Niche height for:

- coffee-maker + warming drawer (14 cm)

**19 GWS 132 BS L/R**

7793

with bulthaup control unit  
Specify country code (page 21).

**19 GWS 132 CS L/R**

7533

without bulthaup control unit

- 1 front panel for dishwasher, aluminium  
for dishwasher 86 / 86.5 cm high
- 1 storage door, W x H x D: 65.8 x 183 x 16.5 cm  
with aluminium profiles to accommodate the  
holding rails and an aluminium traverse
- 3 wooden grilles, maple, 45 cm
- Back facing
- 1 ventil.grilles i.upper shelf
- 2 plinth, 5 cm high

**Planning:**

L/R specifies the side with the swivel door (illustration = left).

Plan 39 cm of space to the side for opening the swivel door.

Plan 70 cm of space to the side for opening the kitchen tool cabinet storage door.

Only dishwashers with integrated switch panel are possible.

Not for Miele dishwasher „AutoClose Et AutoOpen“.

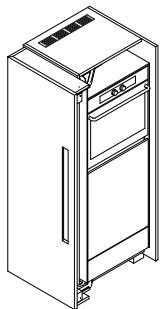
Plan connections for electricity, water and gas behind the appliances.

The appliance housing cabinet cannot be positioned free-standing in the room.

Secure against tilting!

Ovens, steam ovens and compact ovens must be connected to the control unit (page 20).

This safety device is not required for a coffee-maker with warming drawer.

**Appliance housing cabinet**

W x H x D: 65.8 x 188 x 70 cm

1 swivel door

W x H x D: 65.8 x 183 x 16.5 cm

Niche height for:

- oven (60 cm high)
- steam oven + warming drawer (14 cm)
- compact oven + warming drawer (14 cm)

Niche height for:

- coffee-maker + warming drawer (14 cm)

**19 GS 66 BS L/R**

5452

with bulthaup control unit  
Specify country code (page 21).

**19 GS 66 CS L/R**

5192

without bulthaup control unit

- 1 front panel for dishwasher, aluminium  
for dishwasher 86 / 86.5 cm high
- Back facing
- 1 ventil.grilles i.upper shelf
- 2 plinth, 5 cm high

**Planning:**

L/R specifies the doorhang of the appliance storage (illustration = left).

see above

Please indicate model of appliance!  
Appliances are not included in the price.

2HF1

**Appliance housing cabinet****19 GS 66 K L/R**

2784

W x H x D: 65.8 x 188 x 70 cm

1 door, 183 cm high

Niche height for 178 cm tall refrigerator

For fridge with sliding hinge technic, or door fitted  
to the appliance front.

Back facing

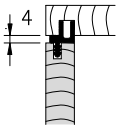
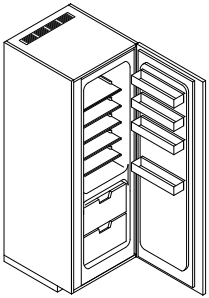
1 ventil.grilles i.upper shelf

2 plinth elements

**Planning:**

plan connection for electricity.

Secure against tilting!

**Visible rear wall**

1.9 cm thick

for 65.8 cm wide units

with circumferential 4 mm wide gap  
incl. safety bracket to the floor

2HF1

**19 A 71**

471

**Spacer profile, 2 pieces****19 DPH**

63.80

W x H: 4 mm x 188 cm

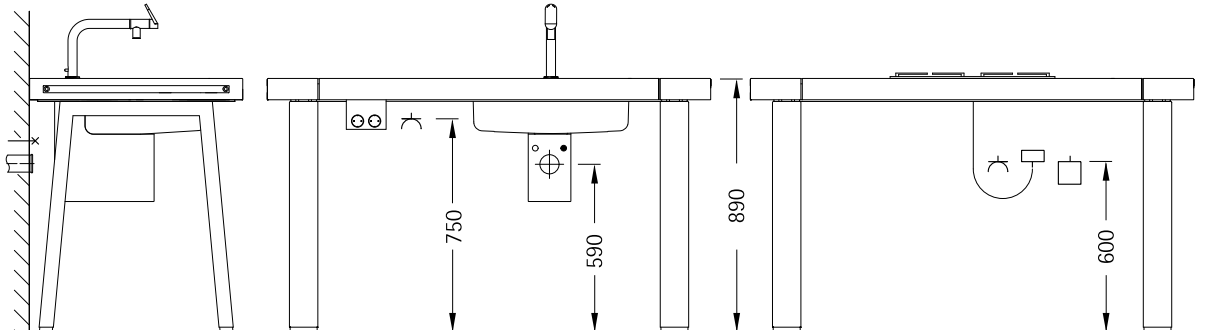
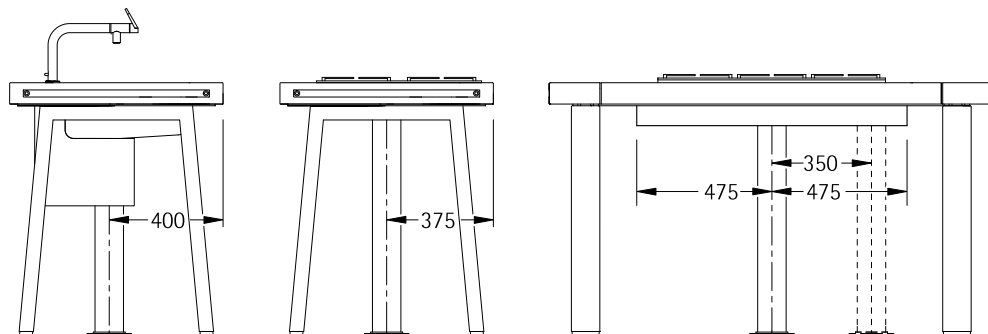
For combinations of 65.8 cm wide units.

**Planning:**to ensure that the doors open, a space of 4 mm must be  
provided between the units.



**Installation dimensions**

The dimensions are valid for a working height of 89 cm.

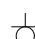


**Wall-mounted****Freestanding****Heat-proof base for cut-out 19 AUS / 19 AUS F**

There are four different heat-proof bases (width 45 cm / 95 cm, visible height under the module 0.3 cm / 7 cm).

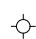


A suitable heat-protective panel is supplied depending on the cut-out width and the hob height.

The 95 cm-wide heat-proof base has two connections for the flexible tube. This heat-proof base is also used with the 60 cm-wide hob.

**Code:****Electrical:**

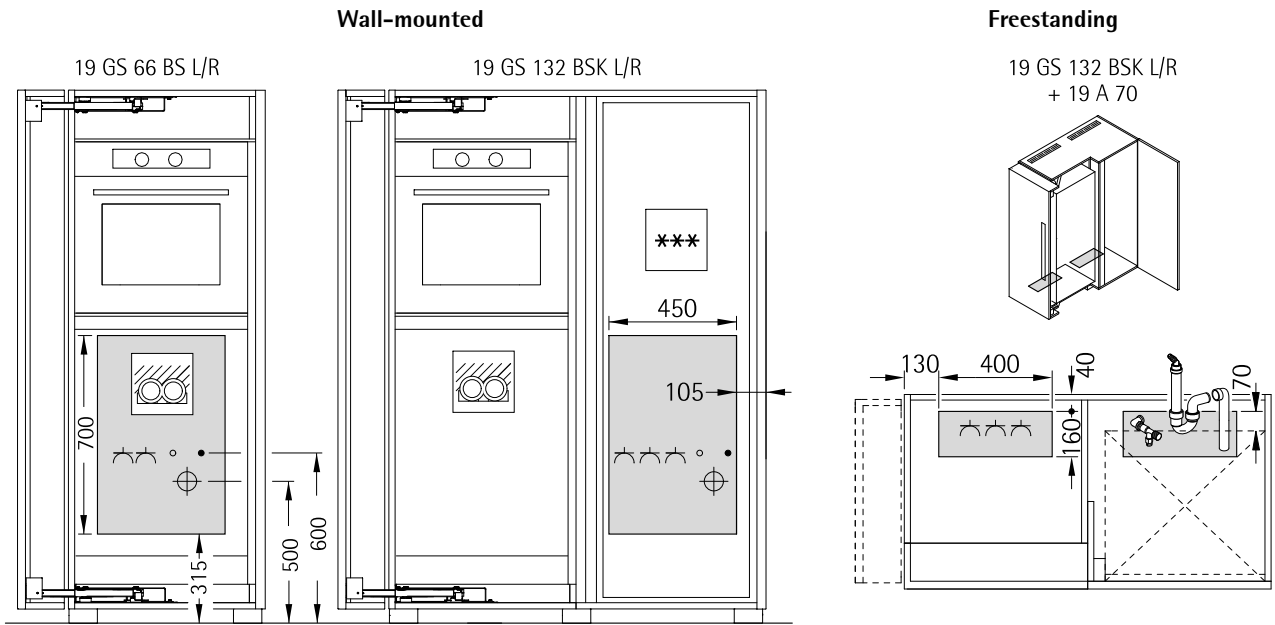
-  Socket 230 V
-  Power Point 380/220 v DS 10 kW
-  Gas point according to regulations

**Plumbing:**

- |   |                  |        |
|---|------------------|--------|
|  W | Hot water inlet  | 1/2"   |
|  K | Cold water inlet | 1/2"   |
|  A | Waste            | 1 1/2" |

**Tube Ø**

Connections (electricity, gas, water) have to be carried out by qualified specialists according to the local regulations.



**Planning:**

where the water connection is behind the dishwasher, the appliance housing cabinet has a distance of 15 mm to the wall (Fig. 1).

Plan the installation set 19ISGS for this.

With appliance housing cabinet 19GS132BSK, the water connection can be planned directly behind the refrigerator.

This means that this unit can be placed directly on the wall.

Appliance housing cabinet 19GS132BSK can be positioned free-standing in the room (Fig. 2).

Appliance housing cabinets 19GS66BS / 19GWS132BS cannot be set up freestanding in the room.

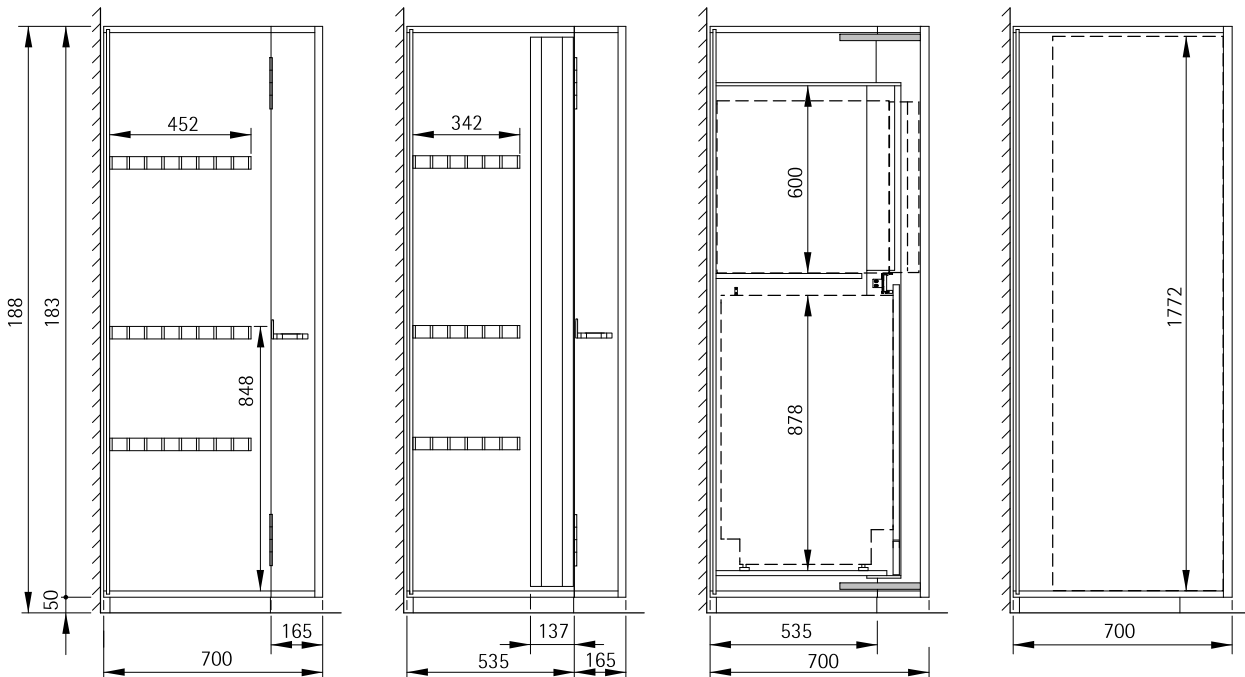
The space between the rear wall and the dishwasher is not adequate for the water connection.

**Kitchen tool cabinet**

**Kitchen tool cabinet with frame storage door**

**Appliance housing cabinet with dishwasher and oven**

**Appliance housing cabinet with refrigerator**

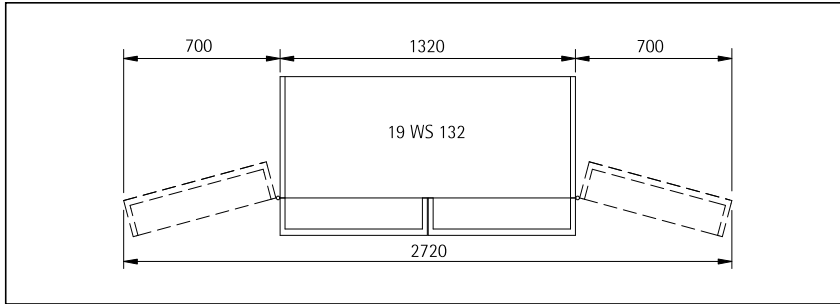


**Planning dimensions for kitchen tool cabinets and appliance housing cabinets**

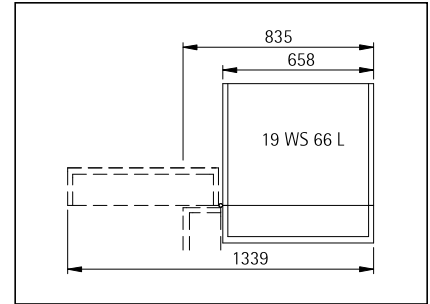
The elements are also possible the other way around.

All units have side plinth elements. 132 cm wide units and combinations are also supported in the centre.

The units must be secured on the wall or floor against tilting.

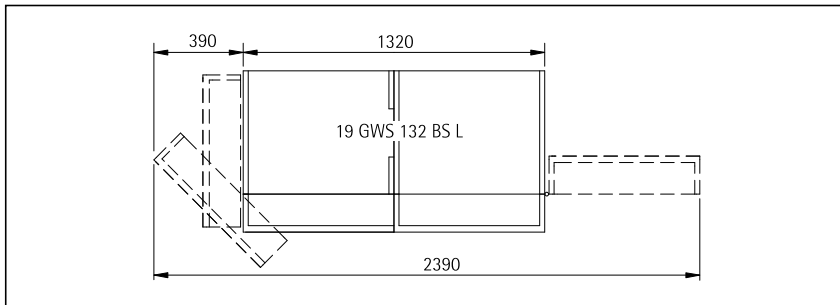


Kitchen tool cabinet 19 WS 132



Kitchen tool cabinet 19 WS 66 L/R

The kitchen tool cabinet can be installed into a wall recess up to 36 cm deep.



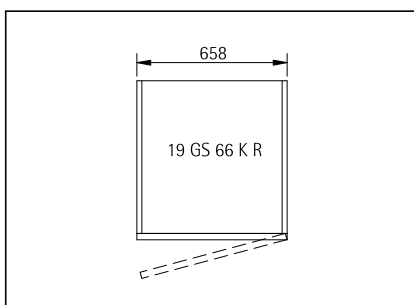
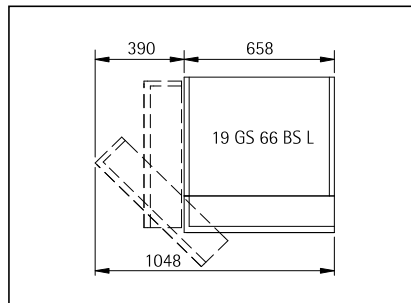
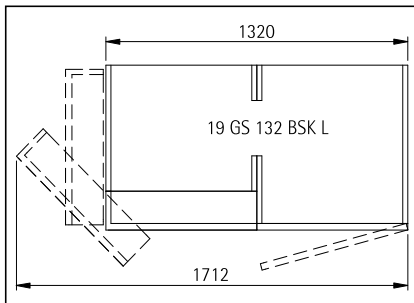
**Housing units**

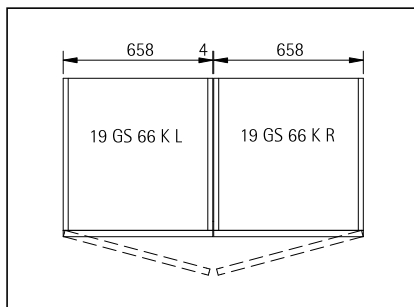
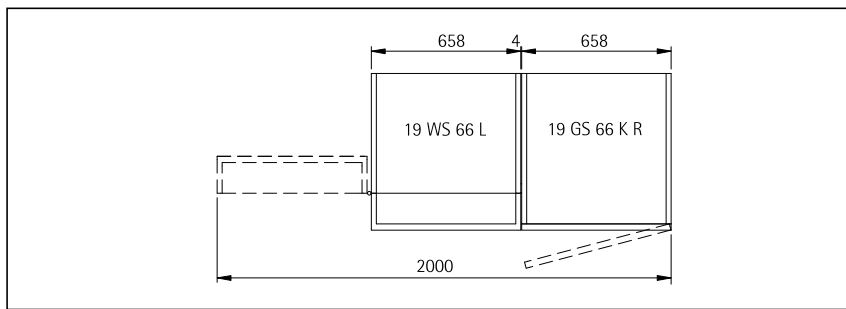
The left/right specification relates to the storage door in front of the oven / dishwasher combination.

Plan connections for dishwasher, oven and refrigerator.

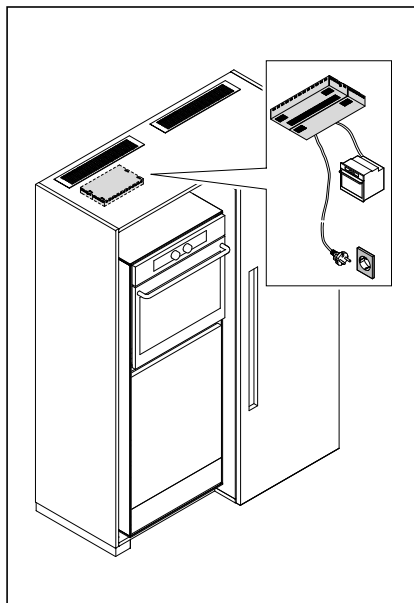
**Note on using the dishwasher**

Please avoid opening the dishwasher slightly immediately after the end of the program. Please open the dishwasher always totally, in order to avoid damages through out-spreading steam.





With combinations of two elements, a 4 mm wide spacer strip is used inbetween so that the fronts do not collide.



#### Warning!

**When the appliances are switched on and during the cool-down phase, the unit door must remain open.**

A control unit must be fitted in the unit for ovens, steam ovens or compact ovens.

#### How the control unit works:

As soon as the control unit registers a temperature above 50° C, a warning signal sounds (this stops again once the temperature drops to below 38° C).

If the temperature exceeds 55 °C, an alarm signal sounds and the power supply to the oven is cut off after one minute. The power supply is only reconnected once the temperature falls below 45 °C and after a 10-minute waiting period.

**The control unit must only be connected up by a suitably trained electrician.**

Connecting cables are not included in the scope of delivery.

#### Operating voltage:

3 N ~, 100 - 400 volts  
3 x 16 A  
50/60 Hz

**Country codes**

For types with electrical fittings, the country code for the delivery country must be quoted on the order.

- Deliverable. Country-specific approval has been obtained.
- ▣ Deliverable. No country-specific approval has been obtained! Connection is the responsibility of the electrician.
- Not available for delivery.

Approved as per:			Socket block		Shelf for appliances for wooden grille		Appliance housing cabinet					
Country	No.	V / Hz	GS	19 ST 2K	19 ST 2K OEU	19 A 16 ST	19 A 17 ST	19 A 16 ST OEU	19 A 17 ST OEU	19 GS 132 BSK	19 GWS 132 BS	19 GS 66 BS
Australia	113	230/50	-	▣	-	-	-	▣	▣	▣	-	-
Austria	114	230/50	•	-	•	-	-	-	•	•	-	-
Azerbaijan	115	220/50	-	▣	-	-	-	▣	▣	▣	-	-
Belgium	121	230/50	•	-	•	-	-	-	•	•	-	-
Brazil	129	220/60	-	▣	-	-	-	▣	▣	▣	-	-
Brazil	130	110/60	-	▣	-	-	-	▣	▣	▣	-	-
Bulgaria	133	230/50	•	-	•	-	-	-	•	•	-	-
Canada	138	120/60	-	▣	-	-	-	▣	▣	▣	-	-
Chile	143	220/50	-	▣	-	-	-	▣	▣	▣	-	-
China	144	220/50	-	▣	-	-	-	▣	▣	▣	-	-
Colombia	147	110/60	-	▣	-	-	-	▣	▣	▣	-	-
Croatia	153	230/50	-	▣	-	-	-	▣	▣	▣	-	-
Czech Republic	156	230/50	•	-	•	-	-	-	•	•	-	-
Denmark	157	230/50	•	-	•	-	-	-	•	•	-	-
Dominican Republic	160	110/60	-	▣	-	-	-	▣	▣	▣	-	-
Estonia	167	230/50	•	-	•	-	-	-	•	•	-	-
Finland	172	230/50	•	-	•	-	-	-	•	•	-	-
France	174	230/50	•	-	•	-	-	-	•	•	-	-
Georgia	181	220/50	-	▣	-	-	-	▣	▣	▣	-	-
Germany	182	230/50	•	-	•	-	-	-	•	•	-	-
Greece	185	220/50	•	-	•	-	-	-	•	•	-	-
Hong Kong	197	220/50	-	▣	-	-	-	▣	▣	▣	-	-
Hungary	198	230/50	•	-	•	-	-	-	•	•	-	-
Iceland	199	230/50	-	▣	-	-	-	▣	▣	▣	-	-
India	200	230/50	-	▣	-	-	-	▣	▣	▣	-	-
Ireland	204	230/50	•	-	•	-	-	-	•	•	-	-
Israel	205	230/50	-	-	-	-	-	-	▣	▣	-	-
Italy	206	230/50	•	-	•	-	-	-	•	•	-	-
Japan	208	110/50	-	▣	-	-	-	▣	▣	▣	-	-
Japan	209	110/60	-	▣	-	-	-	▣	▣	▣	-	-
Kazakhstan	211	220/50	-	▣	-	-	-	▣	▣	▣	-	-
South Korea	214	220/60	-	▣	-	-	-	▣	▣	▣	-	-
Kuwait	216	240/50	-	▣	-	-	-	▣	▣	▣	-	-
Latvia	219	220/50	•	-	•	-	-	-	•	•	-	-
Lebanon	220	200/50	-	▣	-	-	-	▣	▣	▣	-	-
Liechtenstein	224	230/50	•	-	•	-	-	-	•	•	-	-
Lithuania	225	220/50	•	-	•	-	-	-	•	•	-	-
Luxembourg	226	220/50	•	-	•	-	-	-	•	•	-	-
Mexico	240	127/60	-	▣	-	-	-	▣	▣	▣	-	-

Approved as per:			Socket block		Shelf for appliances for wooden grille		Appliance housing cabinet					
Country	No.	V / Hz	GS	19 ST 2K	19 ST 2K OEU	19 A 16 ST	19 A 17 ST	19 A 16 ST OEU	19 A 17 ST OEU	19 GS 132 BSK	19 GWS 132 BS	19 GS 66 BS
Netherlands	251	230/50	•	-	•	-	-	-	-	•	-	-
Norway	260	230/50	-	▣	-	-	-	▣	▣	▣	-	-
Peru	268	220/60	-	▣	-	-	-	▣	▣	▣	-	-
Philippines	269	220/60	-	▣	-	-	-	▣	▣	▣	-	-
Poland	271	230/50	•	-	•	-	-	-	•	•	-	-
Portugal	272	230/50	•	-	•	-	-	-	•	•	-	-
Russia	277	220/50	-	▣	-	-	-	▣	▣	▣	-	-
Singapore	290	230/50	-	▣	-	-	-	▣	▣	▣	-	-
Slovakia	291	230/50	•	-	•	-	-	-	•	•	-	-
Slovenia	292	230/50	•	-	•	-	-	-	•	•	-	-
South Africa	295	230/50	-	-	-	-	-	-	-	-	-	-
Spain	296	230/50	•	-	•	-	-	-	•	•	-	-
Sweden	303	230/50	•	-	•	-	-	▣	▣	▣	-	-
Switzerland	306	230/50	•	-	•	-	-	-	•	•	-	-
Taiwan	308	110/60	-	▣	-	-	-	▣	▣	▣	-	-
Thailand	311	220/50	-	▣	-	-	-	▣	▣	▣	-	-
Turkey	316	230/50	-	▣	-	-	-	▣	▣	▣	-	-
Ukraine	321	220/50	-	▣	-	-	-	▣	▣	▣	-	-
U.A.E.	322	220/50	-	▣	-	-	-	▣	▣	▣	-	-
United Kingdom	323	230/50	•	-	•	-	-	-	•	•	-	-
USA	324	120/60	-	▣	-	-	-	▣	▣	▣	-	-
Bahrain	328	230/50	-	▣	-	-	-	▣	▣	▣	-	-

**The kitchen tool cabinet**

The "bulthaup b2" kitchen tool cabinet carcass is made from veneered, high-quality lumber-core plywood. Sides and bases are dowelled and glued.

**Rear panels**

Rear walls of carcasses are made of 8 mm thick plywood, which is fluted so it is dustproof. For free-standing units, a 19 mm thick lumber-core plywood flush rear wall can be selected.

**Storage doors**

The kitchen tool cabinets are fitted with storage doors. The storage doors are 16 cm deep. They can be used to accommodate kitchen utensils, crockery and glasses. Max. load capacity: 30 kg

**Hinges**

In order to bear the weight of the storage doors, special hinges have been developed. The opening angle is 180°.

Smooth doors in front of refrigerators are equipped with self-closing clip hinges made from metal. At an opening angle between 7 – 10 °, the hinges begin to close the door. The opening angle is 105°.

**Wood fronts**

Top quality veneers are produced using traditional craftsmanship and care.

As natural wood is used, there is some variation of colour and grain. Wooden parts ordered at a later date may not represent a perfect match with units already installed.

**Surface coating**

Fronts are given an easy-care surface. This surface is completely harmless to foodstuff. The varnishes are physiologically harmless and environmentally friendly.

All colour samples are always non-binding. Please note that it will take a short time before added parts will colour-match original fronts.

**Frame storage door**

The frame storage door made from aluminium profiles can also be installed in the kitchen tool cabinet. The frame storage door is fitted in the carcass using special hinges. When installing frame storage doors, the wooden grilles are 34 cm deep.

**Wooden grilles**

The wooden grilles made from solid maple are 40 mm thick. Protection against slipping is provided by drilled metal compartment shelf supports with 3 mm thick pins.

**Plinth element**

The plinth elements are made from solid wood. Height adjustability + 15 mm. The adjustable feet can be adjusted through holes in the bottom shelf of the units.

**Safety brackets**

Units with storage doors must be secured to the wall or floor against tilting. Corresponding fittings are supplied.

**The workbench**

Leg module with chuck jaw made from stainless steel. Aluminium support profile. Inserted modules are clamped into place between the chuck jaws. Sealing profiles are inserted between the modules in order to equalise width tolerances and to ensure a water-tight connection. The working height can be steplessly adjusted from 89 to 93 cm.

**Stainless steel modules**

Modules are polished horizontally. The surfaces have a mat finish.

**Modules with solid wood layer**

A solid wood layer is glued to a holding sheet. The wood has been lacquered and treated with a special oil by the factory. Sinks or hobs are not suitable for installation in solid wood. Wipe residues and water immediately off the surface so that no stains or chalky residues develop that are often very difficult to get rid of.

**Granite modules**

Granite is surface-treated at the factory, and is therefore resistant to food and cleaning agents that are generally found around the home. Please note that, as with any natural stone, traces of wear, such as stains and patina, may remain visible. This is down to the nature of the material and should not be regarded as a fault.

**Load capacity**

The loading capacity of all parts provided as storage space have been tested in accordance with DIN 68 874. Load capacity: 50 kg/m<sup>2</sup>

**Fitting**

Wall or ceiling mounts for kitchen elements must conform to the building regulations valid at the time. The static load-bearing capacity of the walls and ceilings on-site must be checked and guaranteed.

**Integration of electrical appliances**

Please note the installation instructions of the appliance producer. The kitchen designer has to check whether all appliance functions can be used in the desired planning situation.

**Care**

Please note for all materials the care instructions in the bulthaup b3 product manual.



