

b1

product manual

bulthaup

Validity

It is valid from September, 15th, 2016.

Prices

The price details represent non-binding recommended prices in Euro exclusive of VAT.

The first number of the type designation specifies the relevant product group.

Example:

11 U 30 L (11 =Product group 10)

Please note the different pricings of the various product groups.

Terms of delivery and payment

Orders placed with bulthaup are subject to our "General Conditions of Delivery and Payment", as accepted by the buyer at the time of placing the order.

Five-year limited warranty

As a sign of the high quality of our products, we offer a five-year limited warranty on every bulthaup kitchen.

The warranty starts with the delivery date ex factory.

The warranty relates to the functional safety and manufacturing quality of all Bulthaup GmbH & Co KG products. This warranty does not cover lights, filter inserts, batteries or seals.

Terms of warranty

1. The warranty applies only when the guidelines contained in the bulthaup cleansing and maintenance manual are fully adhered to. The warranty becomes void if the equipment is mishandled or inadequately cared for, or if the buyer attempts to rectify damage, without the prior agreement of bulthaup, either himself or through the aid of a third party.
2. The warranty does not cover damage caused on the premises of the buyer by natural wear and tear, damp, high ambient temperatures, or other climatic and environmental influences, nor effects due to the physical properties of wood.

bulthaup cannot accept complaints arising from the peculiarities of the materials, poor maintenance or incorrect fitting.

Note

Please use our order forms to ensure that all necessary information is provided.

We reserve the right to alter the specification as the need arises, in line with the company's policy of continuous technical improvement. No responsibility is accepted for colour variations, or for errors including printing errors in this system list.

Further information from

Bulthaup GmbH & Co KG
Aich, Werkstraße 6
84155 Bodenkirchen
Germany

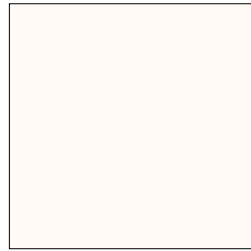
Phone +49 8741 80 0
Fax +49 8741 80 309
www.bulthaup.com



Programme:

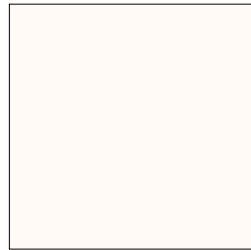
Colour:

1ML1 Pigment lacquer, mat
 for
 Fronts
 Side panels
 Infill panels
 Back facings
 Concealing panel
 Wall panels
 Shelves
 Sliding doors



Q8 alpine white 3

1LA1 Laminate
 for
 Wall panels
 Plinth panels



Q8 alpine white 3

1GL1 Glass
 for
 Sliding doors



GB Glass, translucent white

1CNN Stainless steel
 for
 Wall panels



39 Stainless steel

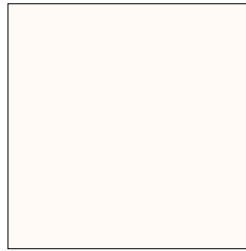
horizontally polished

Programme:

1LAN

Laminate

max. width 405 cm

Covering layer and edges of
fully-dyed laminatefor
Worktops
Bar tops**Colour:****Q8** alpine white 3

1CNN

Stainless steel

max. width 370 cm

for
Worktops**39** Stainless steel

1HMN

Solid wood

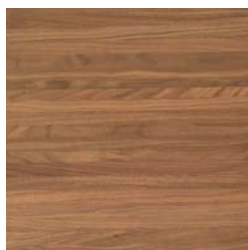
max. width 350 cm

for
Bar tops**LC** Ash, white

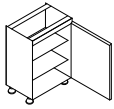
1HM2

Solid wood

max. width 350 cm

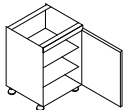
for
Bar tops**LG** Walnut

1ML1

**Base unit with door, 43.4 cm deep**

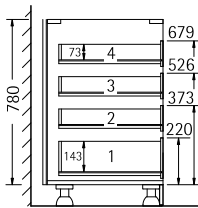
1 door, 75.2 cm high
from 90 cm width: 2 doors
2 shelves

11 U 30 44 L/R	246
11 U 45 44 L/R	277
11 U 60 44 L/R	308
11 U 90 44	478

**Base unit with door**

1 door, 75.2 cm high
from 90 cm width: 2 doors
2 shelves

11 U 30 L/R	259
11 U 45 L/R	291
11 U 60 L/R	323
11 U 90	502

**Internal drawer / internal pull-out**

Internal drawer, position no. 4

for base unit 11 U 60 L/R

11 IS U 60 49 4 221

Internal drawer, position no. 3

11 IS U 60 49 3 221

Internal drawer, position no. 2

11 IS U 60 49 2 221

Internal pull-out, position no. 1

11 IA U 60 49 1 242

New / available for order from 21.02.2017 for base unit 11 U 45 L/R

Internal drawer, position no. 4

11 IS U 45 49 4 199

Internal drawer, position no. 3

11 IS U 45 49 3 199

Internal drawer, position no. 2

11 IS U 45 49 2 199

Internal pull-out, position no. 1

11 IA U 45 49 1 212

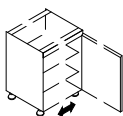
49 cm deep

MDF holding sheet, birch veneer

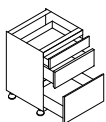
Internal width of drawer / pull-out = 50.0 cm

Planning:

for each 2 internal drawers / 1 internal pull-out, one compartmentalised shelf will be lost.

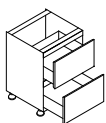
**Variable-width base units with door**

1 door, 75.2 cm high
2 shelves
width 31 cm to 59 cm
to be ordered in 1-cm steps

11 U VA L/R 376**Base unit with drawer / 2 pull-outs**

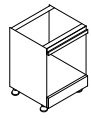
1 drawer, 13.2 cm high
1 pull-out, 21.7 cm high
1 pull-out, 37.2 cm high

11 U 30 S ZZ	561
11 U 45 S ZZ	632
11 U 60 S ZZ	702
11 U 90 S ZZ	875

**Base unit with 2 pull-outs**

1 pull-out, 35.2 cm high
1 pull-out, 37.2 cm high

11 U 30 Z2	477
11 U 45 Z2	536
11 U 60 Z2	596
11 U 90 Z2	656

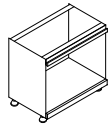
**Housing unit**

1 panel, front design, height dependent on appliance
 1 opening for appliance, 60 cm high
 Please indicate model of appliance!
 1 panel, front finish, 10.7 cm high

11 UG 60

1ML1

400

**Housing unit**

1 panel, front design, height dependent on appliance
 1 opening for appliance
 Please indicate model of appliance!
 1 panel, front finish, 3.4 cm high (for 11UG76)

76.2 cm wide, for
 Gaggenau BO280/281
 Wolf SO30F(U)

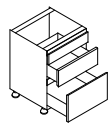
11 UG 76

440

91.4 cm wide, for
 Wolf SO36U

11 UG 91

483

**Housing unit with 2 pull-outs**

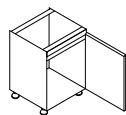
1 panel, front finish, 13.2 cm high
 1 pull-out, 21.7 cm high
 1 pull-out, 37.2 cm high
 Cable protection shelf

11 UG 60 B ZZ

650

11 UG 90 B ZZ

784

**Sink base unit with door**

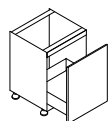
1 door, 75.2 cm high
 from 90 cm width: 2 doors, 75.2 cm high
 1 blind panel, 6.3 cm high
 Metal cover shelf
 Carcase without back

11 US 60 L/R

433

11 US 90

675

**Sink base unit with pull-out**

1 pull-out, 75.2 cm high
 1 blind panel, 6.3 cm high
 Carcase without back

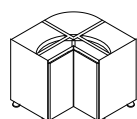
11 US 60 Z

487

11 US 90 Z

676

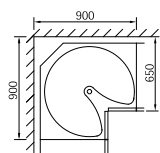
Waste bin see equipments (page 13)

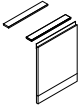
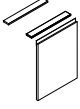
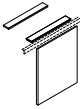
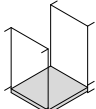
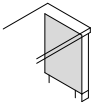
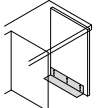
**Corner base unit with carousel**

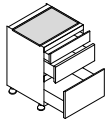
2 panels, 75.2 cm high, 24.7 cm wide
 2 revolving shelves
 Planning dimension 90 x 90 cm

11 UEK 90

1030

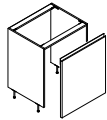


	<p>Please indicate model of appliance!</p> <p>Front panel for integrated dishwasher with integrated control panel 1 front panel, 64.2 cm and 10.7 cm high with recessed grip above</p> <p>Appliance width 45 cm Appliance width 60 cm</p> <p>Please note the planning instruction (page 32)!</p>			1ML1
		11 FBI 45 GSV	374	
		11 FBI 60 GSV	390	
	<p>Front panel for integrated dishwasher with integrated control panel Front panel, 75.2 cm high, 44.6 / 59.6 cm wide with recessed grip above</p> <p>Appliance width 45 cm Appliance width 60 cm</p> <p>Planning: for Miele dishwasher. For BSH - dishwasher (86.5 cm high) with 10 cm plinth height. Please note the planning instruction (page 32)! <u>Carcase-flush plinth panel has to be cut out regarding height.</u></p>			
		11 FBI 45 75	374	
		11 FBI 60 75	390	
	<p>Front panel for built-under refrigerator</p> <p>Appliance width 60 cm Front panel, 75.2 cm high, 59.4 cm wide without recessed grip</p> <p>Planning: not possible with 6 cm plinth height. Joint width on one side 6 mm (see installation instructions).</p>	11 FBI 60 UKG		325
	<p>Supporting base for integrated build-under appliances height adjustable 4 cm high</p>	11 SUB 60 4	71.70	
	<p>Support side, carcass material 56.5 cm deep (side depth) 1.6 cm thick Height can be adjusted on-site For fitting an infill panel to the wall next to a floor-standing appliance.</p>	11 STS 84	76.00	
	<p>Distance strip for opening for appliance 1 sheet steel angle The angle is stuck to the floor</p> <p>Planning: for appliances at the end of the line.</p>	11 DB GN	64.60	

**Cable protection shelf**

Metal
screwed under the metal profile

11 KSB 30	23.30
11 KSB 45	26.20
11 KSB 60	29.10
11 KSB 90	32.10

**Installation kit for washing machines**

Front panel, 75.2 cm high, 66.6 cm wide
without recessed grip

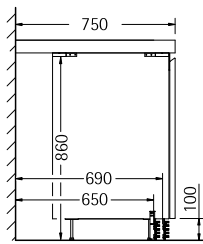
Planning width 67 cm

Recess dimensions (worktop 75 cm deep)
for plinth panel, set back

H x W x D: 86 x 63.5 x 65 cm

for plinth panel, flush to the carcass

H x W x D: 86 x 63.5 x 69 cm

**Planning:**

integrable washing machines not possible.

The front panel cannot be fitted to the washing machine.

Do not plan the water connection behind the washing machine.

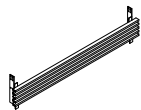
Plan a deeper worktop and side panels.

11 FUB 67 WM L/R

1ML1

509

A special type is available for the plinth panel with slats.

**Plinth panel, with slats
for washing machine**

67 cm wide

6 cm or 10 cm high

Colour:

21 aluminium natural

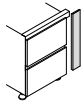
11 SB LA WM

1ALN

175

Infill panels

1ML1

**End infill panel for base unit**

In front finish.

15 cm wide

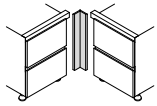
29.6 cm wide

11 PU 15 L/R

73.50

11 PU 30 L/R

106

**Corner infill panel for base unit**

In front finish.

Dimensions see page 33

Corner planning dimension 70 x 70 cm

Fitted flush with front.

Width shortening not possible.

11 PUE

185

Infill panel alteration

Front max. 14.8 cm wide

Dimensions and charges per leg.

11 PVU 15 L/R

57.50

Side panels

1ML1



Incl. 3 cm cut allowance to the floor / wall

Side panel for base unit

3 cm wide, front edge aluminium

90.5 cm high

Adapt the depth and height during installation

65.5 cm deep

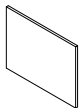
90.5 cm deep

11 WU 65

141

11 WU 90

176

**Side panel for base unit, island**

3 cm wide, front edge aluminium

others as above

78.3 cm deep, edge at front, rear with mitre

106.0 cm deep, front and back edge

119.0 cm deep, front and back edge

11 WU 81 G L/R

156

11 WU 111

181

11 WU 124

185

Depth reduction side panel

up to 45.0 cm

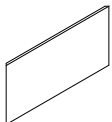
only for 11 WU 124

11 ANT WU 124

19.50

Back facings

1ML1



Incl. 3 cm cut allowance to the floor

Back facing for base unit

90.5 cm high

max. width 288 cm

min. width 30 cm

1.9 cm thick

per m

11 RVU

334

Back facing with lateral mitre

90.5 cm high

1.9 cm thick, horizontal veneered

Please note the planning instruction (page 35)!

47.8 cm wide

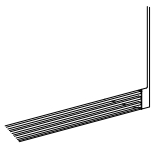
62.8 cm wide

11 RVU 48 G L/R

321

11 RVU 63 G L/R

334

Plinth panels for base units**Plinth panel, with slats**

for the ventilation of built-in appliances

flush to the carcass

set back

6 cm or 10 cm high

max. width 400 cm

Please note the planning instruction (page 32)!

Colour:

21 aluminium natural

per m

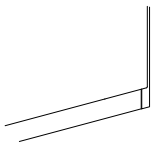
1ALN

11 SB K LA

88.70

11 SB Z LA

88.70

**Plinth panel, plain**

flush to the carcass

set back

max. width 400 cm

others as above

1LA1 only for Q8 alpine white 3

per m

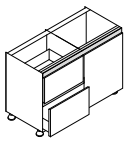
1LA1

11 SB K

49.20

11 SB Z

49.20

**Recess profiles**

Through-running profiles are installed across the width of the base units and infill panels.

Width is calculated at the factory.

max. 600 cm wide

Recess profile, above

Recess profile, centre

Colour:

21 aluminium natural

Included in price of base units.

To monitor your order.

Logo see page 35

11 EOP

11 EMP

1ALN

Equipments

Unit width = Internal width of drawer / pull-out

30 cm = 22 cm

45 cm = 37 cm (35.0 cm for internal drawer / internal pull-out)

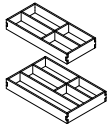
60 cm = 52 cm (50.0 cm for internal drawer / internal pull-out)

90 cm = 82 cm

The inserts can be combined next to each other.

Example for unit width of 60 cm: 11 BE 30 46 + 11 ME 22 46

The width specifications (15, 20, 22 and 30 cm) are planning measurements and not the exact measurements.

**Cutlery tray**

Birch, 46.4 cm deep, 6.3 cm high

22 cm wide

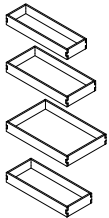
11 BE 22 46

76.40

30 cm wide

11 BE 30 46

88.00

**Utensils tray**

Birch, 46.4 cm deep, 6.3 cm high

15 cm wide

11 UE 15 46

66.10

22 cm wide

11 UE 22 46

69.40

30 cm wide

11 UE 30 46

72.90

20 cm wide for internal drawers / pull-outs

11 UE 20 46

69.40

**Spice tray**

Birch, 46.4 cm deep, 2.2 cm high

15 cm wide, incl. 6 spice jars

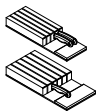
11 GWE 15 46

271

22 cm wide, incl. 9 spice jars

11 GWE 22 46

433

**Knife tray**

Birch, 46.4 cm deep, 5.7 cm high

15 cm wide, for 4 knives

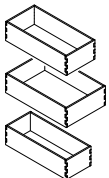
11 ME 15 46

76.00

22 cm wide, for 5 knives

11 ME 22 46

101

**Wooden container for pull-outs**

Birch, 46.4 cm deep, 12.6 cm high

22 cm wide

11 HC 22 46

127

30 cm wide

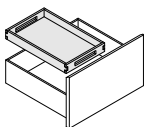
11 HC 30 46

152

20 cm wide for internal pull-outs

11 HC 20 46

127

**Serving tray**

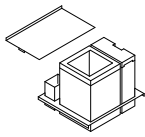
W x D x H: 31 x 49 x 6.5 cm

Birch

Serving tray can be placed on the lower pull-out.

11 TAB 31 49

183

**Waste bin insert in pull-out**

1 lid, metal
 1 plastic bin, 40 l
 1 plastic bin, 17 l
 3 containers, plastic, 3 litres
 1 support frame
 in sink base unit 11 US 60 Z
 in sink base unit 11 US 90 Z
 L/R = Installation on left or right in the pull-out

New / available for order from 21.02.2017

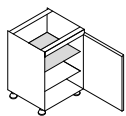
11 AE 2 60 Z 380
11 AE 2 90 Z L/R 380

For on-site installation

for sink base unit 11 US 60 Z
 for sink base unit 11 US 90 Z

New / available for order from 21.02.2017

11 4000 70 44 546
11 4000 70 46 565

**Shelf**

38.0 cm deep
 for 43.4 cm deep base unit
 for wall unit

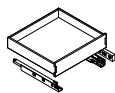
 variable width
 Specify unit width (31 to 59 cm)

11 FB 30 38 25.20
11 FB 45 38 32.50
11 FB 60 38 43.40
11 FB 90 38 61.40
11 FB VA 38 61.30

54.0 cm deep
 for base unit
 for tall unit

 variable width
 Specify unit width (31 to 59 cm)

11 FB 30 54 27.80
11 FB 45 54 35.90
11 FB 60 54 47.90
11 FB 76 54 54.60
11 FB 90 54 67.80
11 FB VA 54 65.30

**Internal drawer / internal pull-out****For on-site installation**

49 cm deep
 MDF holding sheet, birch veneer
 for unit width 60 cm (inside width 50.0 cm)

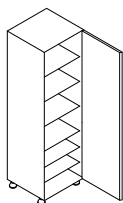
Internal drawer **11 IS 60 49 K** 221
 Internal pull-out **11 IA 60 49 K** 242

for unit width 45 cm (inside width 35.0 cm)

Internal drawer **11 IS 45 49 K** 199
 Internal pull-out **11 IA 45 49 K** 212

**A spacer profile (3 cm wide) is absolutely crucial between tall units!
Please indicate model of appliance!**

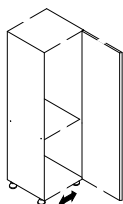
1ML1



Tall unit with door
1 door, 195.7 cm high
1 fixed shelf
5 shelves

11 H 45 L/R
11 H 60 L/R

696
748



**Tall unit in variable width
with door**
1 door, 195.7 cm high
1 base for secure transport (removable)
Width 30 cm to 60 cm
to be ordered in 1-cm steps

11 H VA L/R

754

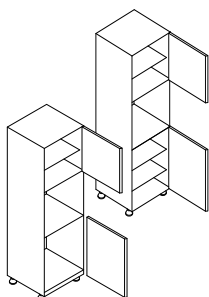
Order shelves separately (page 13).



Cloakroom rail
for tall unit in variable width
Stainless steel, Ø 2.8 cm
Specify the carcass width of the unit.
Fitting on site

11 GST VA

120



Housing unit
1 door, height dependent on the appliance
1 compartment shelf
opening for appliance, 45 cm to 60 cm high

1 door, 75.2 cm high
2 shelves

11 HG 60 60 L/R

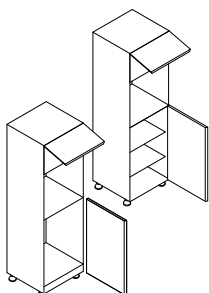
688

or

opening for appliance, 72 cm high
1 door for refrigerator, 75.2 cm high
Door with recessed grip (page 33)

11 HGI 60 60 L/R

688



Housing unit
1 door or flap door, height dependent on the appliance
opening for appliance, 45 cm to 60 cm high

1 door, 97.7 cm high
2 shelves

11 HG 60 98 L/R

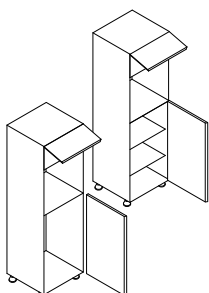
688

or

opening for appliance, 88 cm high
1 door for refrigerator, 97.7 cm high
Door with recessed grip (page 33)

11 HGI 60 98 L/R

688



Housing unit
1 door or flap door, height dependent on the appliance
opening for appliance, 45 cm to 60 cm high

1 door, 104.7 cm high
2 shelves

11 HG 60 105 L/R

688

or

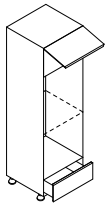
opening for appliance, 103 cm high
1 door for refrigerator, 104.7 cm high
Door with recessed grip (page 33)

11 HGI 60 105 L/R

688

**A spacer profile (3 cm wide) is absolutely crucial between tall units!
Please indicate model of appliance!**

1ML1

**Housing unit****11 HG 60 152 Z L/R**

810

1 flap door, 38.0 cm or 21.7 cm high
opening for appliance, 135 cm or 152 cm high
No other heights possible.
1 shelf for appliances with angle brackets, not fixed
for 2 appliances one above the other
1 pull-out 21.7 cm high

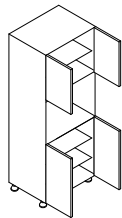
Planning:

the specification L/R relates to the tall unit's doorhang.
The appliance recess can be fitted with the following appliances:
135 cm: warming drawer (29 cm) + oven (60 cm) + compact appliance (46 cm)
152 cm: oven (60 cm) + compact appliance (46 cm) + compact appliance (46 cm)

Shelf for appliances with angle brackets**11 GBO 60**

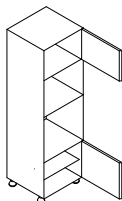
64.40

an additional shelf for appliances for 11 HG60 152 Z L/R
for 3 appliances one above the other.

**Housing unit****11 HG 76 70**

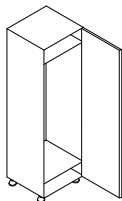
1078

2 doors, height dependent on the appliance, with "touch" fitting
1 compartment shelf
Niche height for
Ovens, 30" wide, for Gaggenau, Wolf or Miele
2 doors, 75.2 cm high, with "touch" fitting
1 fixed shelf
1 compartment shelf

Planning width: 76.2 cm**Housing unit****11 HG 60 108 L/R**

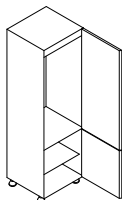
688

1 door or flap door, height dependent on the appliance
opening for appliance, max. 60 cm and 48 cm high
1 door, 47.7 cm high
1 compartment shelf

**Housing unit, 1 door****11 HGI 60 T1 L/R**

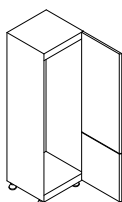
688

1 door, 195.7 cm high
Appliance position determined at the factory.
opening for appliance:
178 or 158 cm high
Door with recessed grip (page 33)

**Housing unit, 2 doors****11 HGI 60 T1T L/R**

794

1 door, 133.7 or 147.7 cm high
Door with recessed grip (page 33)
Opening for appliance, 123, 103 or 140 cm high
1 door, 61.7 or 47.7 cm high
1 compartment shelf

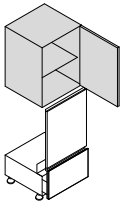
**Housing unit, 2 doors****11 HGI 60 T2 L/R**

688

2 doors, height dependent on the appliance
Appliance position determined at the factory.
opening for appliance:
178, 158, 152, 103 + 72 or 88 + 88 cm high
For the position of the gap, see planning instructions (page 33).
Doors with recessed grip (page 33)

A spacer profile (3 cm wide) is absolutely crucial between tall units!
Please indicate model of appliance!

1ML1



Top box for dishwasher

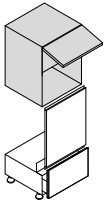
11 HA 60 78 L/R

323

Carcase, 78 cm high
 1 door, 77.7 cm high, with "touch" fitting
 1 compartment shelf

Planning:

overview of dimensions see page 36.



Housing top unit for dishwasher

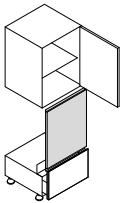
11 HGA 60 45 78 K

399

Carcase, 79 cm high
 1 flap, 31.2 cm high, with "touch" fitting
 opening for appliance, 45 cm high

Planning:

overview of dimensions see page 36.



Front panel dishwasher high

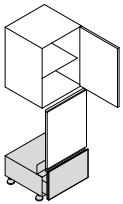
11 FBI 60 75

390

1 front panel, 75.2 cm high
 with recessed grip above
 for appliance height 84.5 up to 86.5 cm

Planning:

For 11 HA 60 78 L/R and 11 HGA 60 45 78 K



Base unit for dishwasher

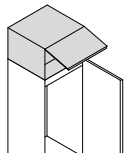
11 U 60 GS 37

440

1 base unit, 26.0 cm tall
 1 pull-out, front panel 37.2 cm tall

Planning:

For 11 HA 60 78 L/R and 11 HGA 60 45 78 K
 Order side panel 11 WH 65 P0 at the line end.
 Instead of spacer profile 11 DPH, side panel 11 WH 65 L/R + height
 shortener 11 ANH WSB are needed at the next tall unit.

**Top box for tall unit**

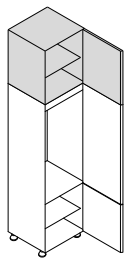
1ML1

**with flap door
22 cm up to 48 cm high**

To be ordered in 1-cm steps.

11 HA 45 K L/R 384**11 HA 60 K L/R** 427

for 11 H VA L/R (width 30 cm to 59 cm)

11 HA VA K L/R 459for 11 HA 60 78 L/R and 11 HGA 60 45 78 K
no angled edge on either side
with „touch“ fitting**11 HA 60 GS K** 454**with door
49 cm up to 86 cm high**

To be ordered in 1-cm steps.

11 HA 45 L/R 384**11 HA 60 L/R** 427**11 HA 76** 559

Plinth height 10 cm:

Planning height 255 to 288 cm: door 49 to 82 cm high

Plinth height 6 cm:

Planning height 251 to 288 cm: door 49 to 86 cm high

11 HA 76: 2 doors with "touch" fitting

for 11 H VA L/R (width 30 cm to 59 cm)

11 HA VA L/R 459for 11 HA 60 78 L/R and 11 HGA 60 45 78 K
no angled edge on either side
with „touch“ fitting**11 HA 60 GS T L/R** 454**Planning:**

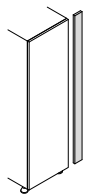
the specification L/R relates to the tall unit's doorhang.

Please specify planning height

A space of 2 cm is needed to the ceiling.

Infill panels

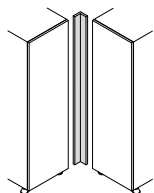
1ML1

**End infill panel for tall unit**

In front finish.

15 cm wide

30 cm wide

11 PH 15 L/R HH 133**11 PH 30 L/R** HH 207**Corner infill panel for tall unit**

In front finish.

Dimensions see page 33

Corner planning dimension 70 x 70 cm

Fitted flush with front.

11 PHE HH 226**Infill panel alteration**

Front max. 14.6 cm wide

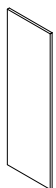
Dimensions and charges per leg.

11 PVH 15 L/R 95.80**Extra price, room-height infill panels****11 MP HHPH** 67.60Infill panels with the identifier "HH" are available up to a maximum
planning height of 288 cm.

Side panels

Incl. 3 cm cut allowance to the floor / wall

1ML1

**Side panel for tall unit**

3 cm wide, front edge aluminium

208.5 cm high

Adapt the depth and height during installation

65.5 cm deep

90.5 cm deep

62.0 cm deep, edge at front, rear with mitre

For freestanding tall units

11 WH 65 L/R HH 203

11 WH 90 L/R HH 242

11 WH 62 G L/R HH 252

**Side panels for appliances**

for a high-positioned dishwasher at the end of a line

11 WH 65 P0 HH 266

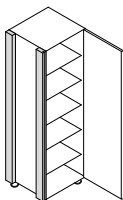
Extra price, room-height side panels

Side panels with the identifier "HH" are available up to a maximum planning height of 288 cm.

11 MP HHWH 67.60

**Height shortening for side panel**incl. adjustable feet
for continuous plinth panel

11 ANH WSB 67.60

**Spacer profile for tall unit**

3 cm wide

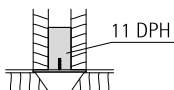
front edge aluminium

Between two tall units

The spacer profile is absolutely crucial between tall units!**Colour:**

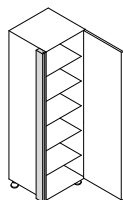
21 aluminium natural

11 DPH HH 138

**Extra price, room-height spacer profile**

Spacer profiles with the identifier „HH" are available up to a maximum planning height of 288 cm.

11 MP HHD 63.30

**Spacer profile for infill panel beside tall unit**

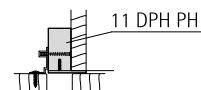
3 cm wide

front edge aluminium

Colour:

21 aluminium natural

11 DPH PH HH 138

**Extra price, room-height spacer profile**

Spacer profiles with the identifier „HH" are available up to a maximum planning height of 288 cm.

11 MP HHD PH 63.30

Back facings



Incl. 3 cm cut allowance to the floor

1ML1

Back facing for tall unit

max. width 90 cm

min. width 47.6 cm

208.5 cm high

1.9 cm thick

incl. safety bracket to the floor

per m

11 RVH HH

473

Back facing with lateral mitre

49.3 cm wide (unit width 45 cm)

64.3 cm wide (unit width 60 cm)

208.5 cm high

1.9 cm thick, vertical veneered

incl. safety bracket to the floor

Please note the planning instruction (page 35)!

11 RVH 49 G L/R HH

425

11 RVH 64 G L/R HH

473

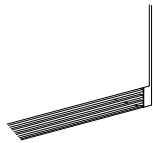
Extra price, room-height back facing

11 MP HHRV

67.60

Back panels with the identifier "HH" are available up to a maximum planning height of 288 cm.

Plinth panels for tall units

**Plinth panel, with slats**

for the ventilation of built-in appliances

flush to the carcass

set back

6 cm or 10 cm high

max. width 400 cm

Please note the planning instruction (page 32)!

per m

1ALN

11 SB K LA

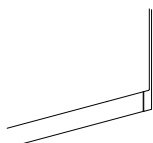
88.70

11 SB Z LA

88.70

Colour:

21 aluminium natural

**Plinth panel, plain**

flush to the carcass

set back

max. width 400 cm

others as above

per m

1LA1

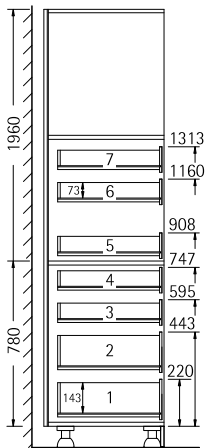
11 SB K

49.20

11 SB Z

49.20

1LA1 only for Q8 alpine white 3

**Internal drawer / internal pull-out**

Internal drawer, position no. 7	for tall unit 11 H 60 L/R	
	11 IS H 60 49 7	221
Internal drawer, position no. 6	11 IS H 60 49 6	221
Internal drawer, position no. 5	11 IS H 60 49 5	221
Internal drawer, position no. 4	11 IS H 60 49 4	221
Internal drawer, position no. 3	11 IS H 60 49 3	221
Internal pull-out, position no. 2	11 IA H 60 49 2	242
Internal pull-out, position no. 1	11 IA H 60 49 1	242
New / available for order from 21.02.2017		
Internal drawer, position no. 7	for tall unit 11 H 45 L/R	
	11 IS H 45 49 7	199
Internal drawer, position no. 6	11 IS H 45 49 6	199
Internal drawer, position no. 5	11 IS H 45 49 5	199
Internal drawer, position no. 4	11 IS H 45 49 4	199
Internal drawer, position no. 3	11 IS H 45 49 3	199
Internal pull-out, position no. 2	11 IA H 45 49 2	212
Internal pull-out, position no. 1	11 IA H 45 49 1	212

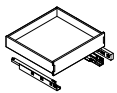
49 cm deep
 MDF holding sheet, birch veneer
 Internal width of drawer / pull-out = 50.0 cm
 Internal drawer, 12 cm high
 Internal pull-out, 19 cm high

Planning:

because of the different position of the hinges, internal drawers and internal pull-outs are only possible ex works for 11 H 60 L/R (11 H 45 L/R).

For each 2 internal drawers / 2 internal pull-outs, one compartmentalised shelf will be lost.

Inserts for internal drawer / internal pull-out (page 12).

**Internal drawer / internal pull-out****For on-site installation**

49 cm deep
 MDF holding sheet, birch veneer

for unit width 60 cm (inside width 50.0 cm)

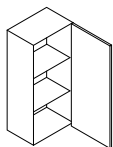
Internal drawer	11 IS 60 49 K	221
Internal pull-out	11 IA 60 49 K	242

for unit width 45 cm (inside width 35.0 cm)

Internal drawer	11 IS 45 49 K	199
Internal pull-out	11 IA 45 49 K	212

Please specify planning height
A space of 2 cm is needed to the ceiling.

1ML1

**Wall unit with door**

1 door, 50 cm up to 136 cm high
nominal carcass height (incl. concealing panel) 50 cm to 136 cm
from 90 cm width: 2 doors
1 to 4 shelves (depending on the carcass height)

11 O 30 L/R

396

11 O 45 L/R

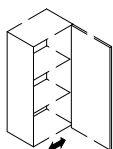
423

11 O 60 L/R

443

11 O 90

727

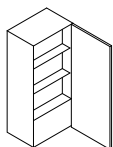
**Variable-width wall unit with door**

1 door, 50 cm up to 136 cm high
nominal carcass height (incl. concealing panel) 50 cm to 136 cm
1 to 4 shelves (depending on the carcass height)
width 31 cm to 59 cm
to be ordered in 1-cm steps

11 O VA L/R

517

Please indicate model of appliance!

**Extractor wall unit**

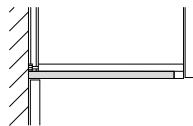
1 door, 72 cm up to 136 cm high
nominal carcass height (incl. concealing panel) 72 cm to 136 cm
from 90 cm width: 2 doors
2 or 4 shelves (depending on the carcass height)
For fan module (cut-out max. 56x34 / 86x34 cm)
Not for appliances with pull-out screen

11 OD 60 L/R

579

11 OD 90

738

Concealing panel**Concealing panel**

38.6 cm deep, 2.2 cm thick
max. width 306 cm
min. width 30.0 cm
Laminated on exposed underside and edges
Order the lighting system separately.

per m

1ML1

11 UB 38

192

**Lighting system with LED**

LED strip
min. 40 cm /max. 306 cm long.

per m

Light colour 4000 „cool white“

11 BLS LED

407

Light colour 3000 „warm white“

11 BLS LED 2

407

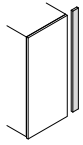
Planning:

Specify the distance to the left-hand outer edge (min. 1 cm)!
Installation in the concealing panel at the factory.
The lamps are controlled via the room switch.
Dimmable via external LED dimmer
Cable to the transformer, 200 cm long, left
Incl. transformer, 100 cm mains cable (without mains plug).
The transformer may be placed on the board or on the wall unit.
Dimensions of the transformer:
lamp up to 150 cm - LxWxH: 14.5x4.7x3.0 cm
lamp from 150 cm - LxWxH: 18.1x6.1x3.5 cm

Specify country code (page 37).

Approval as per the German GS mark that certifies product safety.

Infill panels

**End infill panel for wall unit**

In front finish.
50 up to 136 cm high
Please specify planning height

15 cm wide

30 cm wide

11 PO 15 L/R

11 PO 30 L/R

1ML1

108

135

Side panels



Incl. 3 cm cut allowance to the wall

Side panel for wall unit

3 cm wide, 44.5 cm deep
50 up to 136 cm high
Please specify planning height
Edge at front and below as per surface.
Horizontal veneered.
Adapt depth during installation.

11 WO 44

1ML1

106

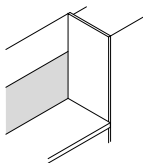
min. width 38.6 cm

max. width 306 cm

max. width 272 cm

1LA1 | 1ML1

1CNN



Centre wall panel

60.4 cm high, 2.2 cm thick

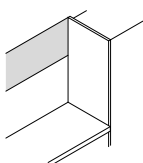
11 WP 61

per m

204 | 229 | 541

Planning:

order upstand profile (page 28) separately.



Top wall panel

50 cm high, 2.2 cm thick

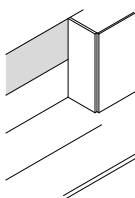
above wall panel, centre

Height up to tall unit upper edge

11 WP 50

per m

204 | 229 | 541



Wall panel up to ceiling

22 cm up to max. 86 cm high

To be ordered in 1-cm steps.

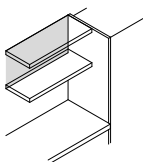
Please specify planning height

A space of 2 cm to the ceiling is needed for suspension.

11 WP A 86

per m

204 | 229 | 541



Top wall panel, for shelves

50 cm high, 2.2 cm thick

above wall panel centre

Height up to tall unit upper edge

Order 5 cm top and bottom shelves separately.

Programme 1CNN not possible!

11 WP 50 BO

per m

212 | 238 | -

Shelves for wall panel

2 shelves mounted on wall panel 11 WP 50 BO.

Shelf width = wall panel width

Order sliding door separately.

Order the lighting system separately.

Fitting on site

for sliding door

36 cm deep

per m

1ML1

11 BO 36 ST

272

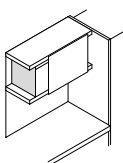
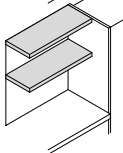
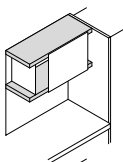
without sliding door

36 cm deep

per m

11 BO 36

254



Partition panel for shelves

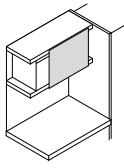
40 cm high, 1.3 cm thick

34 cm deep

Specify the distance to the left-hand outer edge!

11 TW 33 40

81.10



Sliding doors, 52.0 cm high

The sliding door is suspended in the shelf at the top and bottom.
Thickness of sliding doors: 1ML1 = 13 mm, 1GL1 = 6 mm

90 cm wide

105 cm wide

120 cm wide

135 cm wide

150 cm wide

11 ST 90 50

11 ST 105 50

11 ST 120 50

11 ST 135 50

11 ST 150 50

1ML1	1GL1
------	------

335	534
-----	-----

352	560
-----	-----

368	586
-----	-----

384	612
-----	-----

406	646
-----	-----



Lighting system with LED

LED strip

min. 40 cm /max. 306 cm long.

Light colour 4000 „cool white“

Light colour 3000 „warm white“

per m

11 BLS LED

407

11 BLS LED 2

407

Planning:

Specify the distance to the left-hand outer edge (min. 1 cm)!

Built into the lower shelf ex works.

The lamps are controlled via the room switch.

Dimmable via external LED dimmer

Cable to the transformer, 200 cm long, left

Incl. transformer, 100 cm mains cable (without mains plug).

The transformer may be placed on the board or on the wall unit.

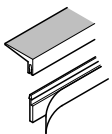
Dimensions of the transformer:

lamp up to 150 cm - LxWxH: 14.5x4.7x3.0 cm

lamp from 150 cm - LxWxH: 18.1x6.1x3.5 cm

Specify country code (page 37).

Approval as per the German GS mark that certifies product safety.



Sealing profile at the top/bottom

For wall panels, a sealing strip edgewise to the wall is included in the scope of delivery. A sealing strip for the sealing profile at the top/bottom must be ordered separately. It consists of two parts.

Sealing profile, grey, 12 mm

Base profile f. sealing profile

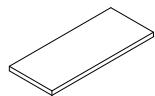
11 4000 31 06

6.50

11 4000 31 12

14.80

per m

**Worktop**

6 cm thick, edge with radius at front
max. widths 405 cm / 370 cm

65 cm deep

90 cm deep

Worktop width = sum of units + side panels + 0.2 cm projection per end of line.

*If the stainless steel worktops are wider than 280 cm, the higher running metre price must be used for the full width.

per m

11 AP 65

11 AP 90

1LAN	1CNN	1CNN
------	------	------

*up to
280 cm

*up to
370 cm

380

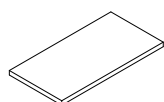
979

1160

475

1222

1441

**Worktop, island**

6 cm thick, edge with radius at front and rear
max. widths 405 cm / 370 cm

81 cm deep

111 cm deep

124 cm deep

per m

11 APT 81

11 APT 111

11 APT 124

*up to
280 cm

*up to
370 cm

442

1175

1383

489

1380

1622

535

1585

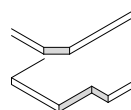
1859

Reduced depth worktop

for all worktops

11 ANT AP

included in price.

**Slant with edge**

11 ABS

121

-

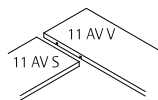
Cut-out with edge

Cut-out max. 100 cm wide.

11 ASK

181

-

**Worktop joint**

at end of the worktop

11 AV S

58.70

62.20

at the leading edge of the worktop

11 AV V

58.70

62.20

at end of the worktop for 11 AP xx in the 1LAN programme

11 AV G

58.70

-

at end of the worktop for 11 APT xx in the 1LAN programme
Front and rear edges have a 1 mm-radius rounding

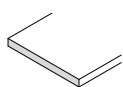
11 AV G I

58.70

-

Planning:

for sinks, plan a 12.5 cm space from the worktop edge.

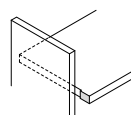
**Worktop edge line end**

per m

11 AKZ 6 L/R

222

235

**Worktop edges**

for worktop connected to e.g. tall unit side panel.

Edge radius to the side only up to the tall unit side panel.

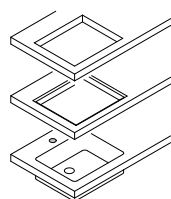
The full worktop depth is calculated.

per m

11 AKZ V 6 L/R

231

245

**Cut-out, rectangular**

11 AUS AP

34.90

59.60

Cut-out, flush

incl. sealant, black

11 AUS F

80.40

145

Hole drilled for mixer tap

Order mixer tap separately.

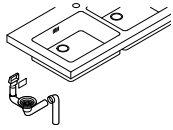
See product manual bulthaup b3.

11 AUS M

21.50

32.50

1LAN 1CNN

**Under-worktop sinks, stainless steel**

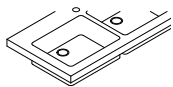
cast under laminate
welded under stainless steel
inner radii 30 mm

with overflow
with accessories

55 x 40 x 19 cm
45 x 40 x 19 cm
35 x 40 x 19 cm
16 x 40 x 13 cm

For sinks, plan a 7 cm space from the
worktop edge.
6 cm space between two sinks.

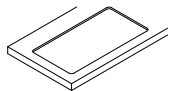
11 ES 55	825	825
11 ES 45	710	710
11 ES 35	594	594
11 ES 16	506	506



without overflow
without accessories

55 x 40 x 19 cm
45 x 40 x 19 cm
35 x 40 x 19 cm
16 x 40 x 13 cm

11 ES 55 U	780	780
11 ES 45 U	665	665
11 ES 35 U	549	549
11 ES 16 U	461	461

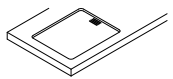
**Functional flat basin, stainless steel**

cast under laminate
welded under stainless steel
inner radii 30 mm
no gradient

Sinks will be welded to functional flat basin.

90 x 45 cm, with a recess depth of 4 mm
120 x 45 cm, with a recess depth of 4 mm
150 x 45 cm, with a recess depth of 4 mm

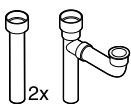
11 FFB 90	825	825
11 FFB 120	914	914
11 FFB 150	1126	1126

**Flat basin, stainless steel**

cast under laminate,
welded under stainless steel
without downward inclines, incl. drainage pipe
inner radii 30 mm

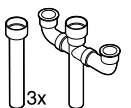
55 x 40 cm, with a recess depth of 4 mm

11 EFB 55	789	789
------------------	-----	-----

**Water outflow no. 11**

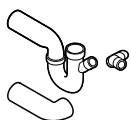
pipes and baskets for the following combinations:
2 large basins
large basin / small basin
large basin / flat basin

11 ALG SET 11	27.60
----------------------	-------

**Water outflow no. 12**

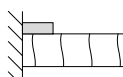
pipes and baskets for the following combinations:
large basin / small basin / flat basin
2 large basins / flat basin
2 large basins / small basin
2 large basins / small basin / flat basin

11 ALG SET 12	71.20
----------------------	-------

**Double-chambered siphon**

with 2 dishwasher connectors
Drain into the wall Ø 50 mm
90°-bow

11 ALG SET 14	50.70
----------------------	-------

**Upstand profile**

H x D: 1.2 x 2.5 cm
incl. two covering caps
max. width 600 cm

Programme:

1A21 aluminium natural

Colour: 21

1A23 aluminium, stainless steel effect

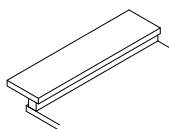
Colour: 23

per m

11 PR AP

1A21	1A23
------	------

38.30	74.50
-------	-------

**Bar top**

38 cm deep
6 cm thick, edge at front, rear and lateral
Bar top plinth 9 cm tall
max. 350 cm wide
min. 40 cm wide

The bar top plinth is 3.2 cm shorter at the open end than the bar top.
See plan on page 35

per m

11 BP 38

1LAN	1HMN	1HM2
------	------	------

828	1191	1476
-----	------	------

Panel material**Handle slant on the side**

for tall unit door / flaps
Dimensions: width x height
min. 29.6 x 21.7 cm
max. 60 x 195.7 cm

Price per m²

25 mm thick

11 PM 25 SS

1ML1

*0.05 m ² up to 0.20 m ²	1598
0.201 m ² up to 0.40 m ²	1151
0.401 m ² up to 0.60 m ²	741
0.601 m ² up to 0.80 m ²	566
0.801 m ² up to 1.00 m ²	469
1.001 m ² up to 1.20 m ²	407

Planning:

*panels up to a size of 0.20 m² will always be charged as 0.20 m²!

Please state the exact dimensions.

Without rounding, cut-outs or drill holes.

Panel material**Handle slant on the top**

for base unit doors, drawers and pull-outs
Dimensions: width x height
min. 14.8 x 50.0 cm (if width < 29.6 cm)
min. 29.6 x 13.2 cm (if width ≥ 29.6 cm)
max. 89.6 x 75.2 cm

Price per m²

25 mm thick

11 PM 25 SO

1ML1

*0.05 m ² up to 0.20 m ²	1598
0.201 m ² up to 0.40 m ²	1151
0.401 m ² up to 0.60 m ²	741
0.601 m ² up to 0.80 m ²	566

Panel material

Edges on four sides, coated on both.

Dimensions: width x height

min. 50 x 10 cm (0.05 m²)

max. 276 x 124 cm

Price per m ²	19 mm thick 11 PM 19 M2		22 mm thick 11 PM 22 M2		25 mm thick 11 PM 25 M2	30 mm thick 11 PM 30 M2
	1LA1	1ML1	1LA1	1ML1	1ML1	1ML1
	*0.05 m ² up to 0.20 m ²	1109	1243	1132	1268	1293
0.201 m ² up to 0.40 m ²	799	895	815	913	931	959
0.401 m ² up to 0.60 m ²	515	577	525	588	600	618
0.601 m ² up to 0.80 m ²	393	440	401	449	458	472
0.801 m ² up to 1.00 m ²	325	364	332	372	379	391
1.001 m ² up to 1.20 m ²	282	316	288	323	329	339
1.201 m ² up to 1.40 m ²	253	283	258	289	294	303
1.401 m ² up to 1.60 m ²	231	258	235	264	269	277
1.601 m ² up to 1.80 m ²	214	240	218	245	250	257
1.801 m ² up to max. panel size	201	225	205	230	234	241

Planning:*panels up to a size of 0.20 m² will always be charged as 0.20 m²!

Please state the exact dimensions.

The first dimension applies to the direction of the veneer.

Without rounding or cut-outs.

Carcase material

Edges on four sides, coated on both.

Dimensions: width x height

min. 50 x 10 cm (0.05 m²)

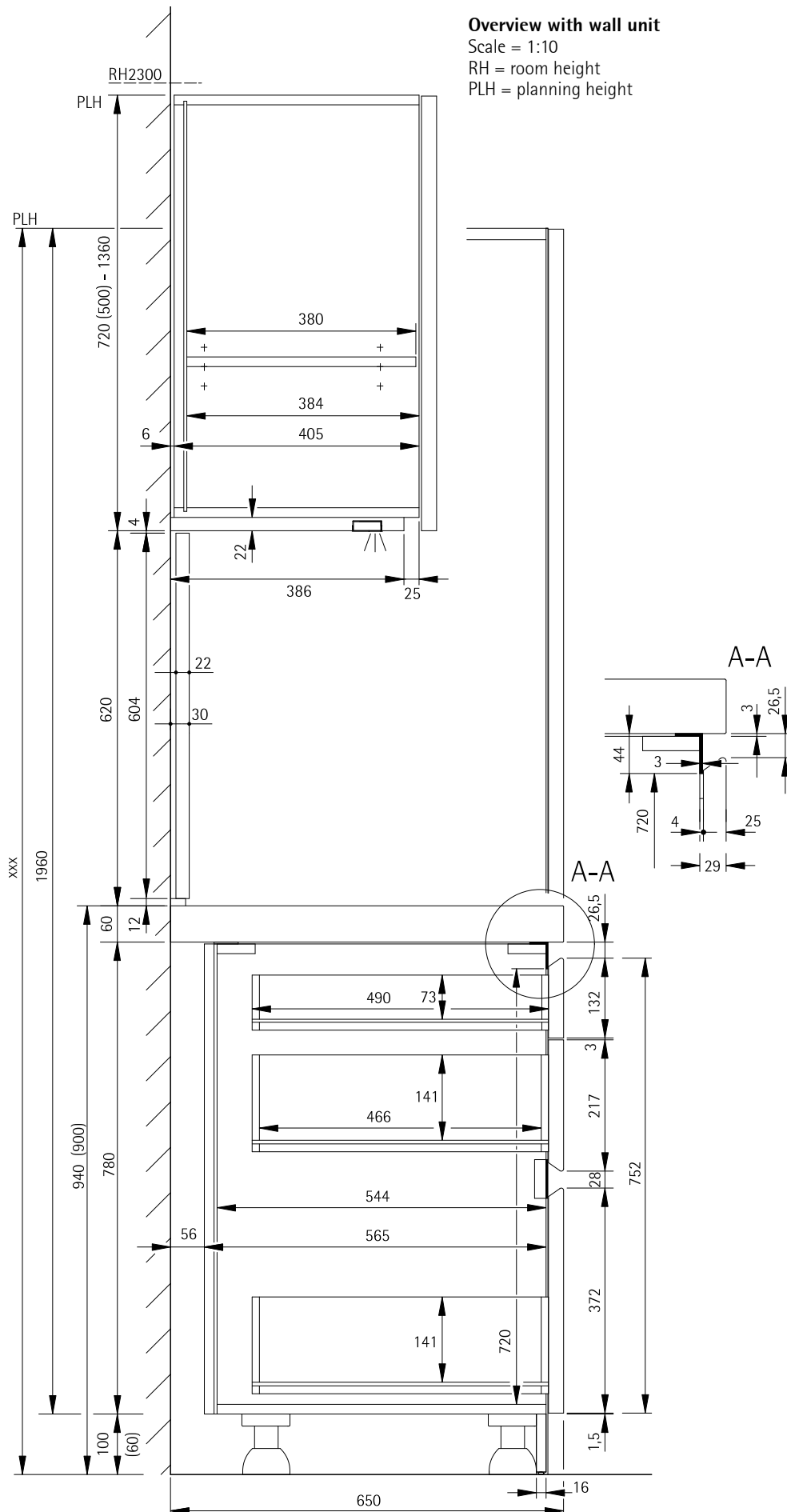
max. 262 x 204 cm

Price per m ²	16 mm thick 11 PM 16 M2
	1KMN
*0.05 m ² up to 0.20 m ²	950
0.201 m ² up to 0.40 m ²	684
0.401 m ² up to 0.60 m ²	441
0.601 m ² up to 0.80 m ²	337
0.801 m ² up to 1.00 m ²	279
1.001 m ² up to 1.20 m ²	242
1.201 m ² up to 1.40 m ²	216
1.401 m ² up to 1.60 m ²	198
1.601 m ² up to 1.80 m ²	183
1.801 m ² up to max. panel size	172

Planning:*panels up to a size of 0.20 m² will always be charged as 0.20 m²!

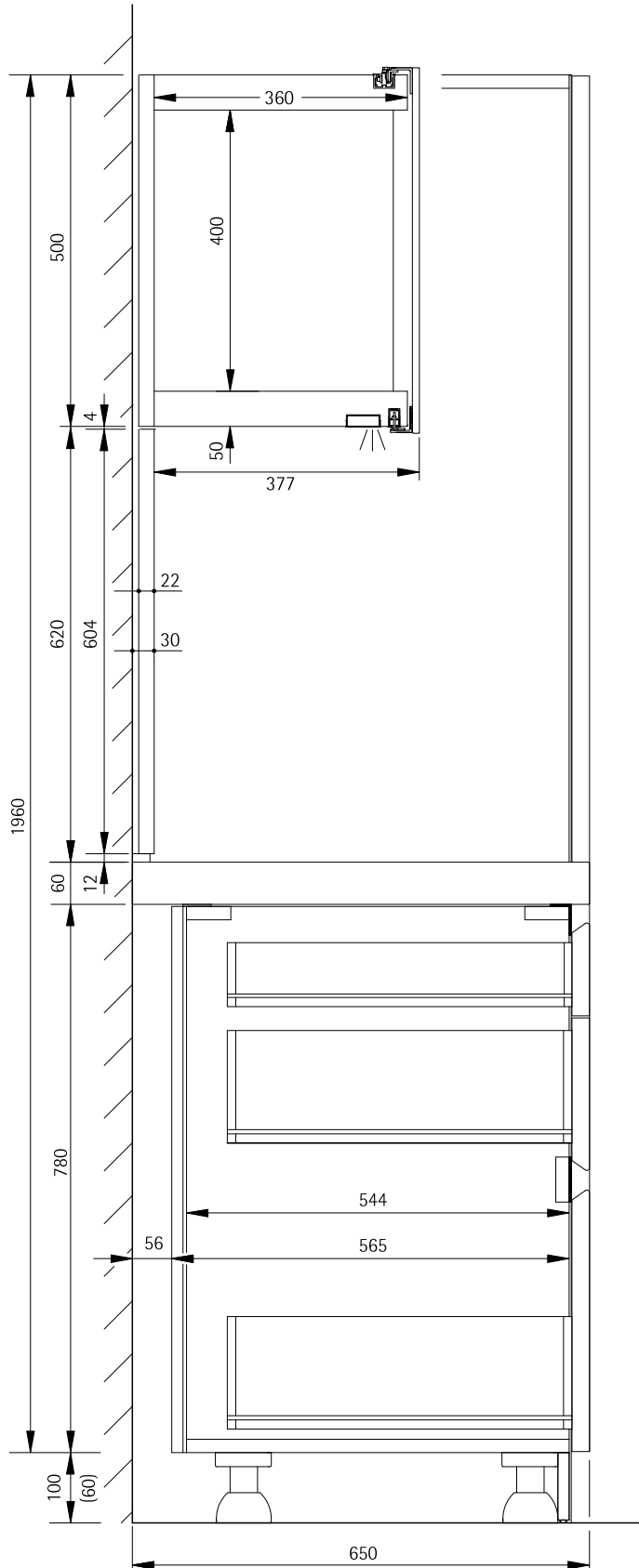
Please state the exact dimensions.

Without rounding or cut-outs.

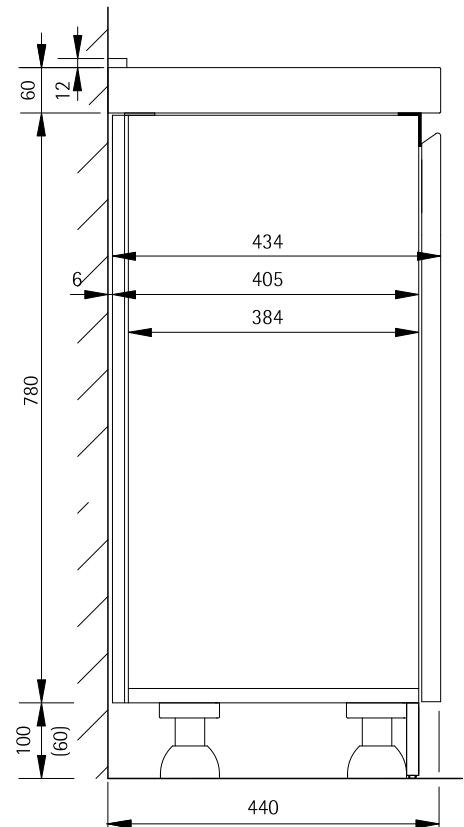


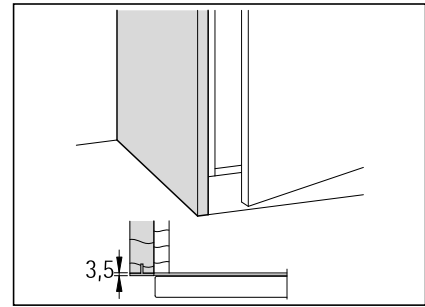
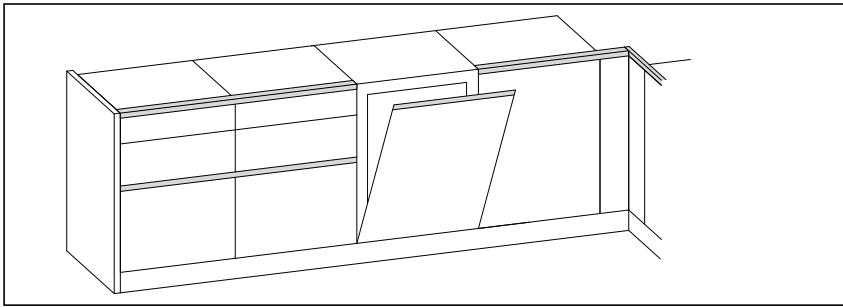
Overview with wall panel at the top and shelves

Scale = 1:10



Base unit with door, 43.4 cm deep





Recess profile

Through-running profiles are installed across the width of the base units and infill panels. Width is calculated at the factory.

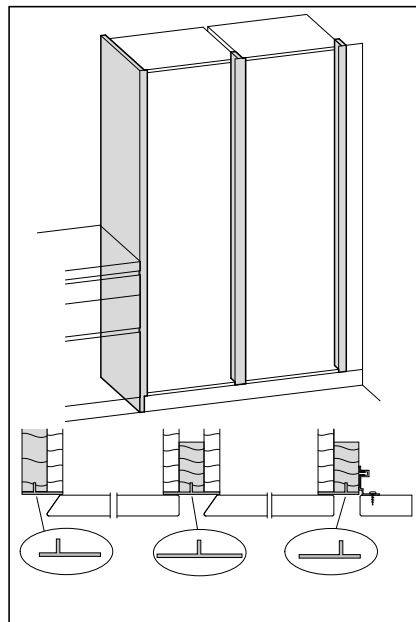
Profiles above: 11 EOP
 Profiles centre: 11 EMP
 Colour: aluminium natural

Included in price of base units

For dishwashers, a suitable aluminium profile must be fastened to the front.

Base unit side panel

The base unit side panel is installed flush with the edge of the carcass. The aluminium edge is then positioned on the side panel.



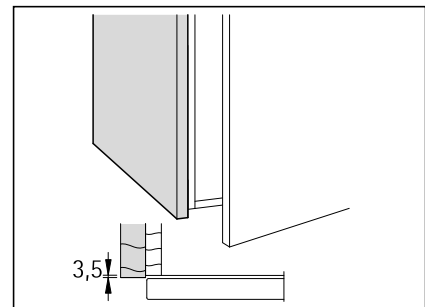
Planning of the tall unit

A spacer profile (3 cm wide) is absolutely crucial between tall units! The spacer profile covers both carcass edges.

On the tall unit side panel, the aluminium profile covers the carcass edge. The aluminium profile is cut out in the plinth area to the thickness of the side panel.

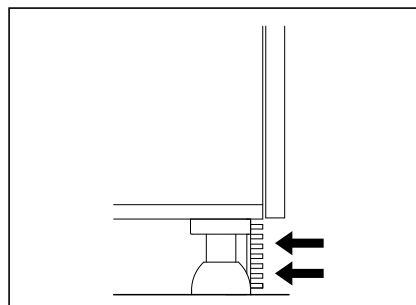
For an end-to-end plinth panel, side panel 10ANHWSB height shortening is required.

The end infill panel is fixed with the spacer profile 11 DPH PH.



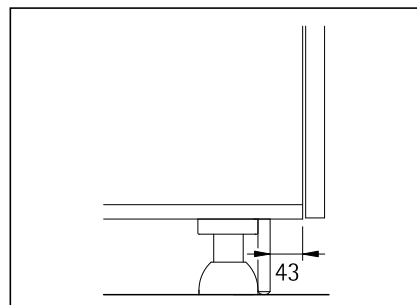
Wall unit side panel

The wall unit side panel has no aluminium edge. It is installed 3.5 mm in front of the carcass edge and at the bottom flush with the base panel.

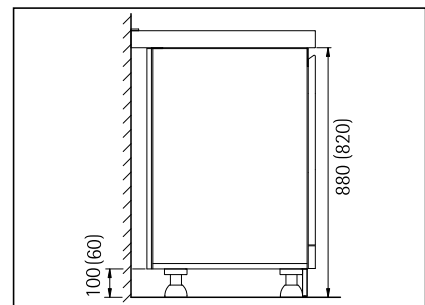


Plinth panel

If there is an appliance that requires ventilation in a line, the plinth panel with slats (11 SB K LA / 11 SB Z LA) is used across the entire line width. This ensures the necessary ventilation cross-section.

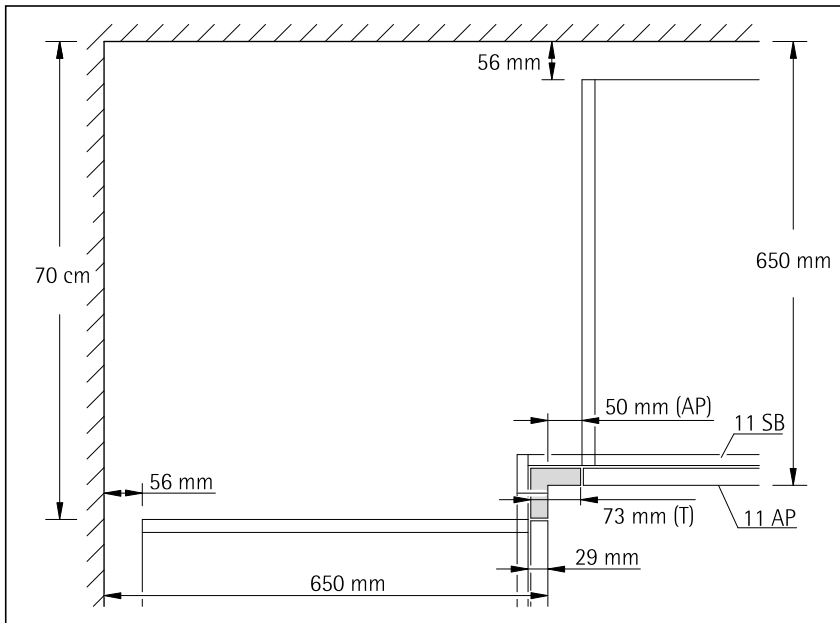


If wished, the plinth panel can be ordered inset (11 SB Z / 11 SB Z LA). The plinth base plates are then installed accordingly at the factory.



Front panel

Dishwasher in the base unit line: the installation height is 82 cm with an 6 cm plinth height. For this reason, only fully-integrated appliances are possible with a height of 82 cm. From a plinth height of 10 cm, fully-integrated 84 / 86-cm-high dishwashers are possible.



Corner infill panel

Blind corners are covered with a corner panel.

Corner planning dimension

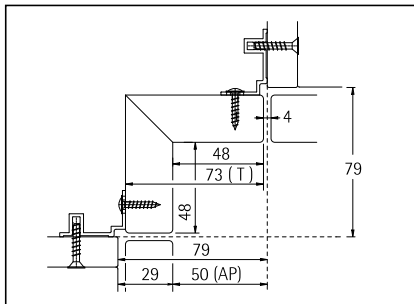
70 x 70 cm for base unit and tall unit

11 AP = worktop front edge

11 SB = plinth panel

Planning dimension:

Worktops (AP) = 50 x 50 mm

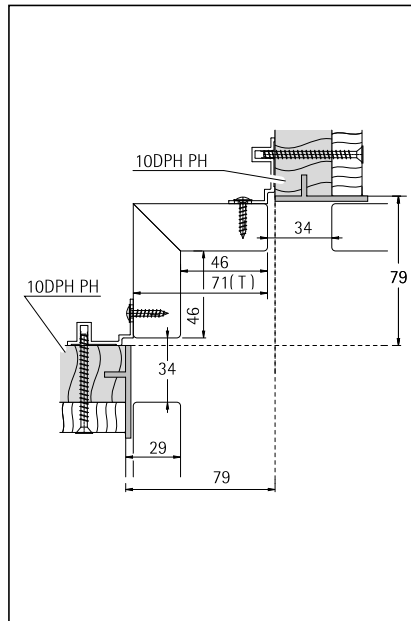


Corner infill panel for base unit

Technical dimension (T)= 73 x 73 mm

Front = 48 x 48 mm

To balance the dimensions, the corner infill panel can be extended in both directions to max. 148 mm.



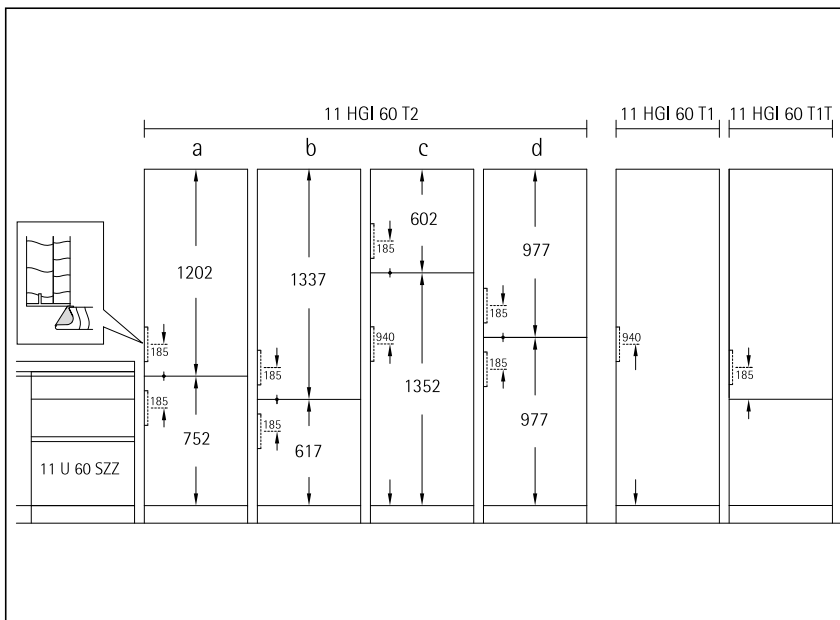
Corner infill panel for tall unit

Technical dimension (T)= 71 x 71 mm

Front = 46 x 46 mm

To balance the dimensions, the corner infill panel can be extended in both directions to max. 146 mm.

The 11 DPH PH spacer profile is planned between the corner post and the tall unit.



Joint course for 11 HGI 60 T2 L/R

Joint course for housing units 11HGI60T2 L/R with integrated refrigerators

For opening for appliance:

a = 103 + 72 / 178 / 152 cm high

b = 178 / 158 cm high

c = 178 cm high

d = 88 + 88 cm high

Position for the recessed grip

for

- 11 HGI 60 T2 L/R

- 11 HGI 60 T1 L/R

- 11 HGI 60 T1T L/R

see illustration

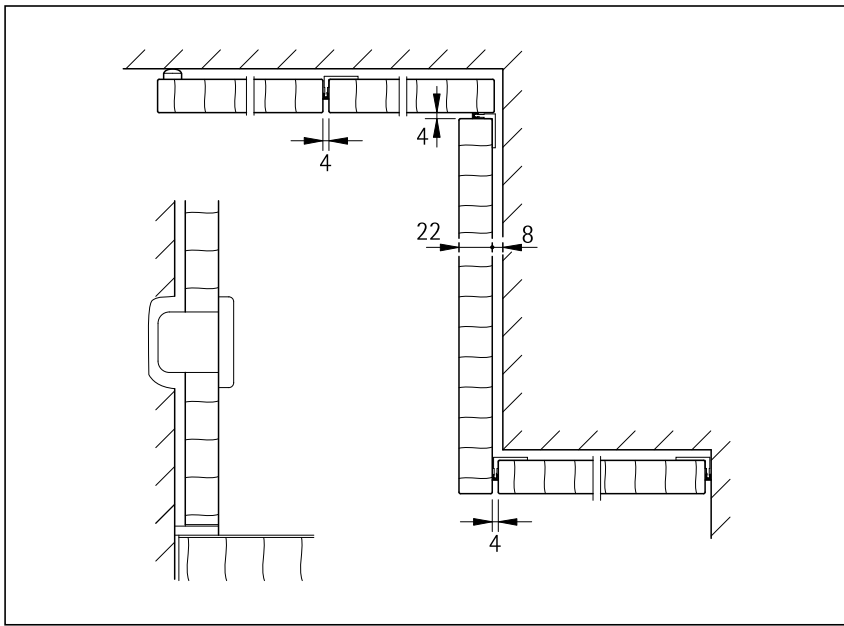
for

- 11 HGI 60 60 L/R

- 11 HGI 60 98 L/R

- 11 HGI 60 105 L/R

185 mm from above



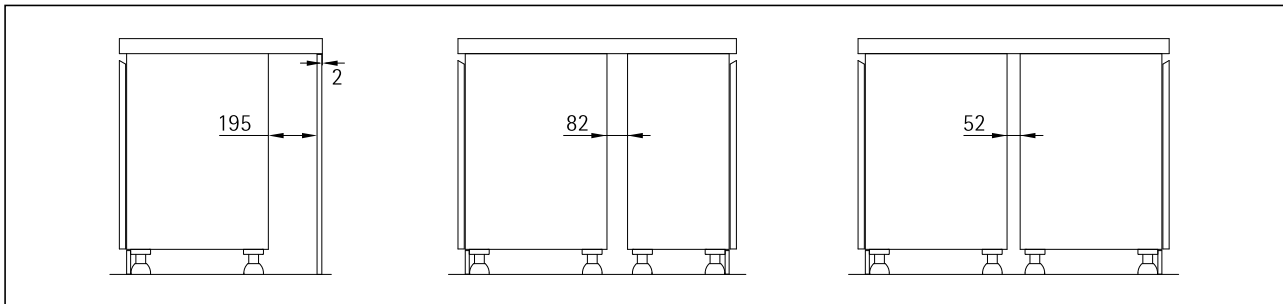
Wall panel

Exact room dimensions are required for calculating the widths.

Joint profiles are included in the scope of delivery.

Positions for sockets and light switches are determined and drilled during installation.

Connections (electricity, gas, water) have to be carried out by qualified specialists according to the local regulations.



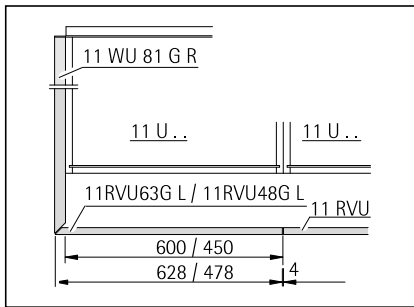
Island depths

Island depth 81 cm

Island depth 111 cm

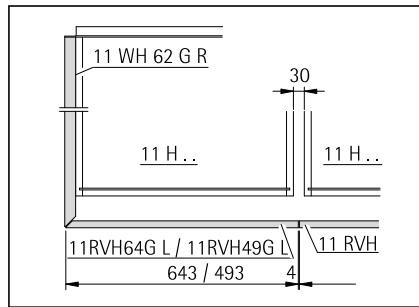
Island depth 124 cm

Worktop overhang on the end of the line and above the back facing: 2 mm

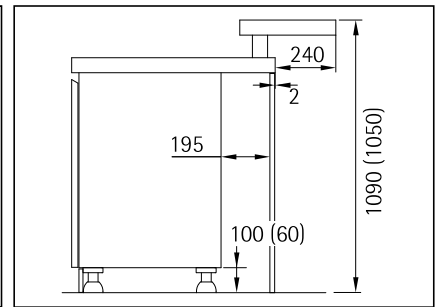


Back facings

For 81-cm-deep islands, a side panel with mitre is planned. The connecting back facing also has a mitre. The remaining width is concealed with the type 11 RVU.



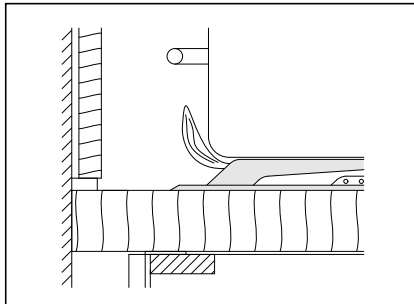
For a free-standing tall unit line, a side panel with mitre is planned. The connecting back facing also has a mitre. The remaining width is concealed with the type 11 RVH.



Bar tops

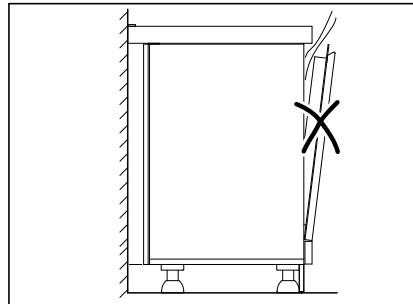
Suitable seat height 73 - 80 cm

The bar top plinth is 3.2 cm shorter at the open end than the bar top.



Gas hobs

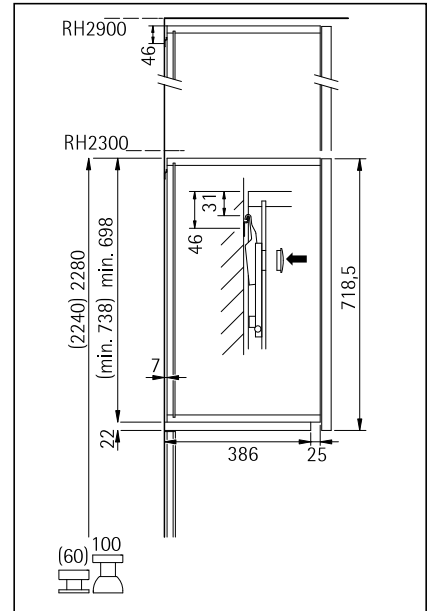
For gas hobs and wall panel, we recommend planning in a worktop from 75 cm depth on.



Note on using the dishwasher

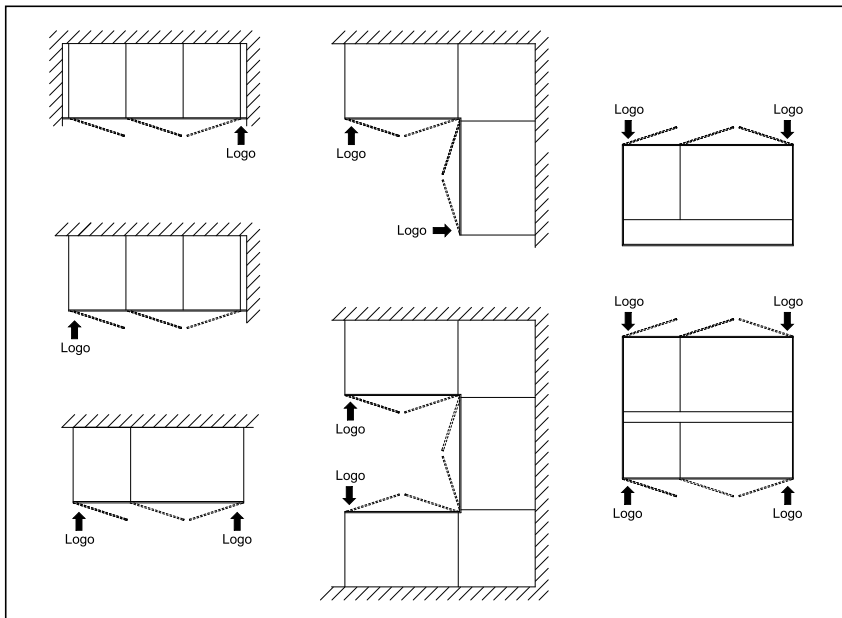
Please avoid opening the dishwasher slightly immediately after the end of the program. Please open the dishwasher always totally, in order to avoid damages through out-spreading steam.

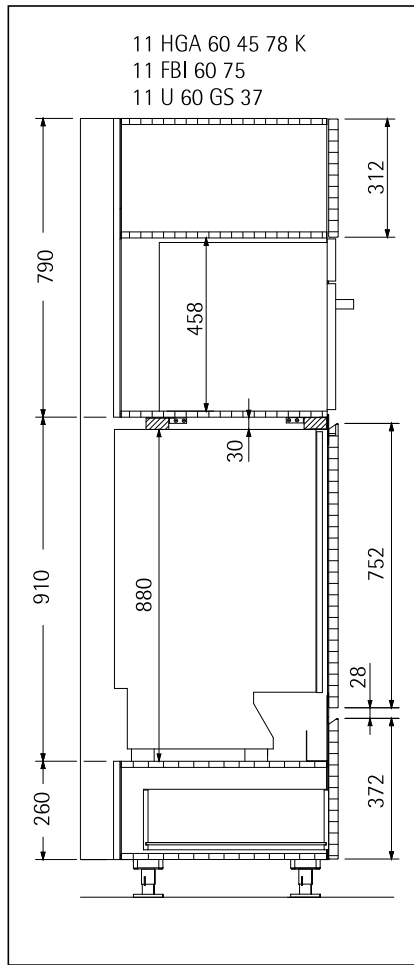
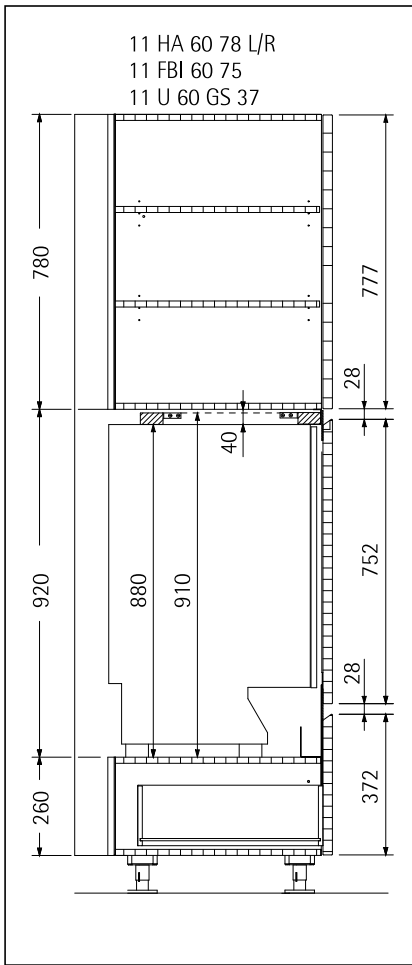
Wall unit suspension



Logo on recess profile

The logo is printed on the upper recess profile (11EOP) at both ends of a contiguous base unit line. If there is a dishwasher at the end of the line, the logo will be printed on the aluminium profile on the dishwasher front. The logo will be marked on the order with 11LOGO, 11LOGOL and 11LOGOR without charge. The item capture will be carried out by our order processors. It is not possible to countermand this.

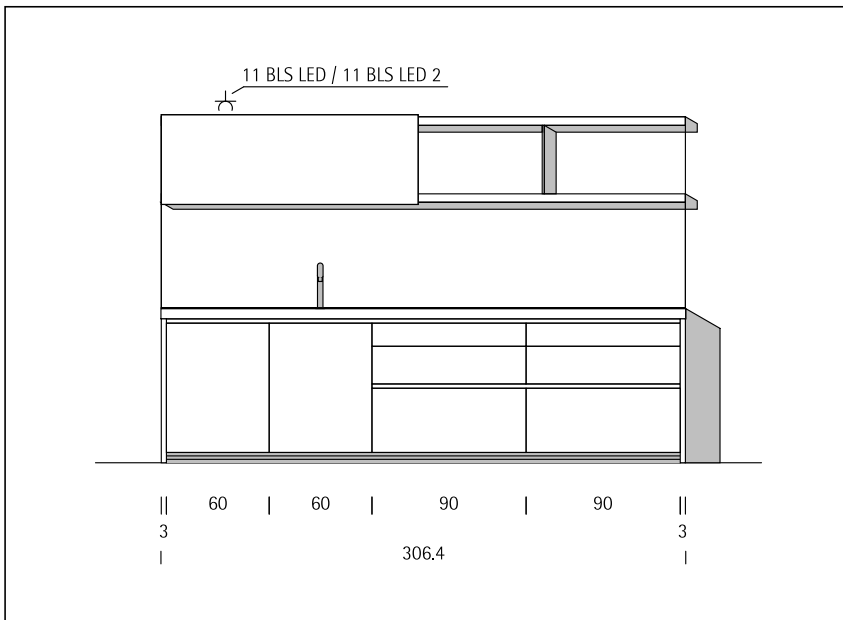




Overview of dimensions

11 HA 60 78 L/R + 11 FBI 60 75 +
11 U 60 GS 37

11 HGA 60 45 78 K + 11 FBI 60 75 +
11 U 60 GS 37



Wiring diagram lighting system

The lamps are controlled via the room switch.

Country codes

For types with electrical fittings, the country code for the delivery country must be quoted on the order.

- Deliverable. Country-specific approval has been obtained.
- Deliverable. No country-specific approval has been obtained! Connection is the responsibility of the electrician.
- Not available for delivery.

Approved as per:			GS / CB
Country	No.	V / Hz	11 BLS LED (2)
Australia	113	230/50	-
Austria	114	230/50	•
Azerbaijan	115	220/50	□
Belgium	121	230/50	•
Brazil	129	220/60	□
Brazil	130	110/60	□
Bulgaria	133	230/50	•
Canada	138	120/60	□
Chile	143	220/50	□
China	144	220/50	□
Colombia	147	110/60	□
Croatia	153	230/50	□
Czech Republic	156	230/50	•
Denmark	157	230/50	•
Estonia	167	230/50	•
Finland	172	230/50	•
France	174	230/50	•
Georgia	181	220/50	□
Germany	182	230/50	•
Greece	185	220/50	•
Hong Kong	197	220/50	□
Hungary	198	230/50	•
Iceland	199	230/50	□
India	200	230/50	□
Indonesia	201	220/50	□
Ireland	204	230/50	•
Israel	205	230/50	□
Italy	206	230/50	•
Japan	208	110/50	□
Kazakhstan	211	220/50	□
South Korea	214	220/60	□
Kuwait	216	240/50	□

Approved as per:			GS / CB
Country	No.	V / Hz	11 BLS LED (2)
Latvia	219	220/50	•
Lebanon	220	200/50	•
Liechtenstein	224	230/50	•
Lithuania	225	220/50	•
Luxembourg	226	220/50	•
Malaysia	231	240/50	□
Malta	234	240/50	•
Mexico	240	127/60	□
Netherlands	251	230/50	•
Norway	260	230/50	□
Peru	268	220/60	□
Philippines	269	220/60	□
Philippines	270	110/60	□
Poland	271	230/50	•
Portugal	272	230/50	•
Romania	276	230/50	•
Russia	277	220/50	□
Singapore	290	230/50	□
Slovakia	291	230/50	•
Slovenia	292	230/50	•
South Africa	295	230/50	□
Spain	296	230/50	•
Sweden	303	230/50	•
Switzerland	306	230/50	•
Taiwan	308	110/60	□
Thailand	311	220/50	□
Turkey	316	230/50	□
Ukraine	321	220/50	□
U.A.E.	322	220/50	□
United Kingdom	323	230/50	•
USA	324	120/60	□
Bahrain	328	230/50	□

Carcase

The "bulthaup b1" carcase is made of high-quality three-ply chipboard with white melamine coating.

Sides and bases are dowelled and glued.

Surfaces are resistant to heat and damp, antistatic and hardwearing. The carcase edges are coated with white edge material.

Shelves

Shelves are made of triple-layer chipboard and are 16 mm thick (19 mm thick from 90 width on).

They are held firmly in place by metal supports with pegs 3 mm thick fitting into holes on the underside of the shelves.

Rear panels

Rear walls of carcases are made of 3 mm thick hardboard, which is fluted so it is dustproof.

Drawers and pull-outs

Drawers and deep storage drawers are made up of a 9-layered birch veneer holding sheet.

The guides for drawers and pull-outs are fitted with shock absorbers which allow the drawer or pull-out to brake gently and close softly.

Loading capacities Pull-out system

	Load capacity
Drawers/Pull-outs	25 kg
Pull-outs as of W x H: 89.7 cm x 37.2 cm	40 kg
Sink base unit: 11US60Z / 11US90Z	40 kg

Clip hinge

Unit doors are fitted with self-closing metal clip hinges.

At an opening angle between 7 – 10 °, the hinges begin to close the door.

The max. opening angle is 105°.

The hinges can be adjusted in three dimensions and have integrated buffering.

Flaps

Flaps that are up to 31.9 cm high open to 90°.

Higher flaps open to 70°.

Surface coating

All painted colour fronts have an easy-care surface.

This surface is completely harmless to foodstuff.

The varnishes are physiologically harmless and environmentally friendly.

Colour variations in follow-on deliveries

Please note that slight colour changes may occur over time and subsequent deliveries of products may exhibit difference in colour. All colour samples are always non-binding.

Aluminium profiles

Shutter profiles and cover profiles are made from aluminium and have an anodized, mat surface.

Worktops and wall panels from stainless steel

Worktops and wall panels are polished horizontally.

The surfaces have a mat finish.

Note care instructions for metals.

Side panels

Side panels are 30 mm thick and are installed with a 3 mm overhang to the carcase edge (4 mm overhang for base units).

Load capacity

The loading capacity of all parts provided as storage space have been tested in accordance with DIN 68 874.

After this, the following maximum loads are permitted for wall units and shelves:

- wall units 50 kg/m²

- Shelves 25 kg/m²

(A 50-cm-tall wall unit 11 O 60 L/R has a footprint of approx. 0.64 m²).

These data apply to plane loads.

Worktops

The covering layers are made from high-quality laminate and stainless steel. Bar tops are made from solid wood.

A protective coating on the underside and at the rear prevents penetration of damp.

Special connection coatings, groove and spring and water-resistant glue enable perfect connections.

Plinth element

The plinth base plate and foot are made of plastic.

Height adjustable from +15 to -10 mm.

The rear plinthfeet can be adjusted using holes in the bottom of the units.

Plinth panel

The plinth panel is made up of three-layer wood chipboard with a laminate coating or aluminium slats.

The plinth panel is fitted to the plinth base using clips.

Fitting

Wall or ceiling mounts for kitchen elements must conform to the building regulations valid at the time.

The static load-bearing capacity of the walls and ceilings on-site must be checked and guaranteed.

Special productions and modifications

The b1 product is characterised by its minimal variance and the resulting attractive prices. Please understand that we are unable to confirm any special productions with this product and production structure. Modifications are only possible within the confines of the possibilities described in the product manual.

"Order simplicity"

The aim is to make the order handling process as easy and efficient as possible. You can help us do this by only planning products and types from b1 (product 10) in your orders. All types from other product groups can be bundled in a joint second order.

Care

Please note for all materials the care instructions in the bulthaup b3 product manual.

